

---

**ROBE**

---

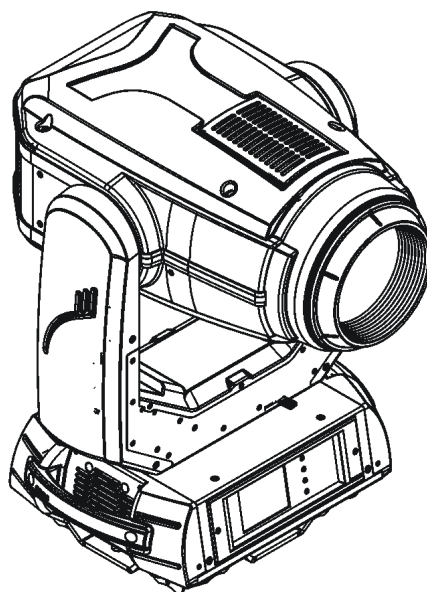
**ROBIN<sup>®</sup> Viva CMY**

---

**ROBIN<sup>®</sup> Viva CMY**

---

Wireless DMX  
CRMX™



 **ROBIN<sup>®</sup>**  
Innovative Technology

---

**USER MANUAL**

*Version: 1.7*

---

ROBE<sup>®</sup> lighting s.r.o. • Czech Republic • [www.robe.cz](http://www.robe.cz)

# Robin Viva CMY

## Table of contents

|   |           |
|---|-----------|
| <b>1. Safety instructions</b> .....             | <b>3</b>  |
| <b>2. Operating determination</b> .....         | <b>4</b>  |
| <b>3. Fixture exterior view</b> .....           | <b>5</b>  |
| <b>4. Installation</b> .....                    | <b>6</b>  |
| 4.1 Connection to the mains .....               | 6         |
| 4.2 Replacing gobos .....                       | 7         |
| 4.3 Replacing the frost .....                   | 8         |
| 4.4 Rigging the fixture .....                   | 9         |
| 4.5 DMX-512 connection .....                    | 11        |
| 4.6 Ethernet connection .....                   | 12        |
| <b>5. Remotely controllable functions</b> ..... | <b>14</b> |
| <b>6. Control menu map</b> .....                | <b>15</b> |
| <b>7. Control menu</b> .....                    | <b>18</b> |
| 7.1 Tab "Address" .....                         | 19        |
| 7.2 Tab "Information" .....                     | 20        |
| 7.3 Tab "Personality" .....                     | 21        |
| 7.4 Tab "Manual Control" .....                  | 23        |
| 7.5 Tab "Stand-alone" .....                     | 23        |
| 7.6 Tab "Service" .....                         | 24        |
| <b>8. RDM</b> .....                             | <b>26</b> |
| <b>9. Wireless DMX operation</b> .....          | <b>27</b> |
| <b>10. Error and information messages</b> ..... | <b>27</b> |
| <b>11. Technical Specifications</b> .....       | <b>30</b> |
| <b>12. Maintenance and cleaning</b> .....       | <b>32</b> |
| 12.1 Disposing of the product .....             | 32        |
| <b>13. Change log</b> .....                     | <b>32</b> |
| <b>14. Photometric diagram</b> .....            | <b>34</b> |

**CAUTION!**

***Keep this device away from rain and moisture!  
Unplug mains lead before opening the housing!***

**FOR YOUR OWN SAFETY, PLEASE READ THIS USER MANUAL CAREFULLY  
BEFORE YOU INITIAL START - UP!**

## **1. Safety instructions**

Every person involved with installation and maintenance of this device have to:

- be qualified
- follow the instructions of this manual

**CAUTION!**

***Be careful with your operations.  
With a high voltage you can suffer  
a dangerous electric shock when touching the wires!***

This device has left our premises in absolutely perfect condition. In order to maintain this condition and to ensure a safe operation, it is absolutely necessary for the user to follow the safety instructions and warning notes written in this manual.

### **Important:**

The manufacturer will not accept liability for any resulting damages caused by the non-observance of this manual or any unauthorized modification to the device.

Please consider that damages caused by manual modifications to the device are not subject to warranty.

Never let the power-cord come into contact with other cables! Handle the power cord and all connections with the mains with particular caution!

Make sure that the available voltage is not higher than stated on the rear panel.

WARNING! This unit does not contain an ON/OFF switch. Always disconnect power input cable to completely remove power from unit when not in use or before cleaning or servicing the unit.

Make sure that the power cord is never crimped or damaged by sharp edges. Check the device and the power-cord from time to time.

Always disconnect from the mains, when the device is not in use or before cleaning it. Only handle the power-cord by the plug. Never pull out the plug by tugging the power cord.

This device falls under protection class I. Therefore it is essential to connect the yellow/green conductor to earth. The electric connection, repairs and servicing must be carried out by a qualified employee.

Do not connect this device to a dimmer pack.

During the initial start-up some smoke or smell may arise. This is a normal process and does not necessarily mean that the device is defective.

Do not touch the device's housing bare hands during its operation (housing becomes hot)!  
For replacement use fuses of same type and rating only.

**Warning! Risk Group 2 LED product according to EN 62471.  
LED light emission. Risk of eye injury!**

**Do not look straight at the fixture's LED source during operation. The intense light beam may damage your eyes.**

**Do not view the light output with optical instruments or any device that may concentrate the beam.**

## 2. Operating determination

This device is a moving head for creating decorative effects and was designed for indoor use only. This device is for professional use only. It is not for household use.

If the device has been exposed to drastic temperature fluctuation (e.g. after transportation), do not switch it on immediately. The arising condensation water might damage your device. Leave the device switched off until it has reached room temperature.

Do not shake the device. Avoid brute force when installing or operating the device.

Never lift the fixture by holding it at the projector-head, as the mechanics may be damaged. Always hold the fixture at the transport handles.

When choosing the installation spot, please make sure that the device is not exposed to extreme heat, moisture or dust.

Make sure that the area below the installation place is blocked when rigging, derigging or servicing the fixture.

Always fix the fixture with an appropriate safety rope. Fix the safety rope at the correct holes only.

Only operate the fixture after having checked that the housing is firmly closed and all screws are tightly fastened.

The maximum ambient temperature 45°C must never be exceeded.

**CAUTION!**  
***The lens has to be replaced when it is obviously damaged, so that its function is impaired, e. g. due to cracks or deep scratches!***

Operate the device only after having familiarized with its functions. Do not permit operation by persons not qualified for operating the device. Most damages are the result of unprofessional operation!

Do not block the front objective lens with any object when the fixture is under operation.

The fixture housing never must be covered with cloth or other materials.

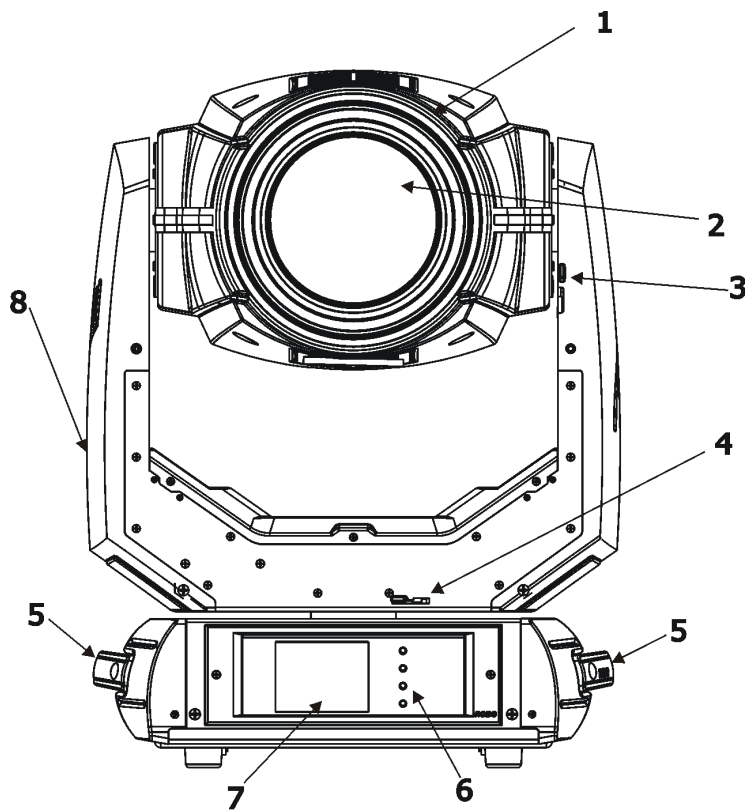
Please use the original packaging if the device is to be transported.

Please consider that unauthorized modifications on the device are forbidden due to safety reasons!

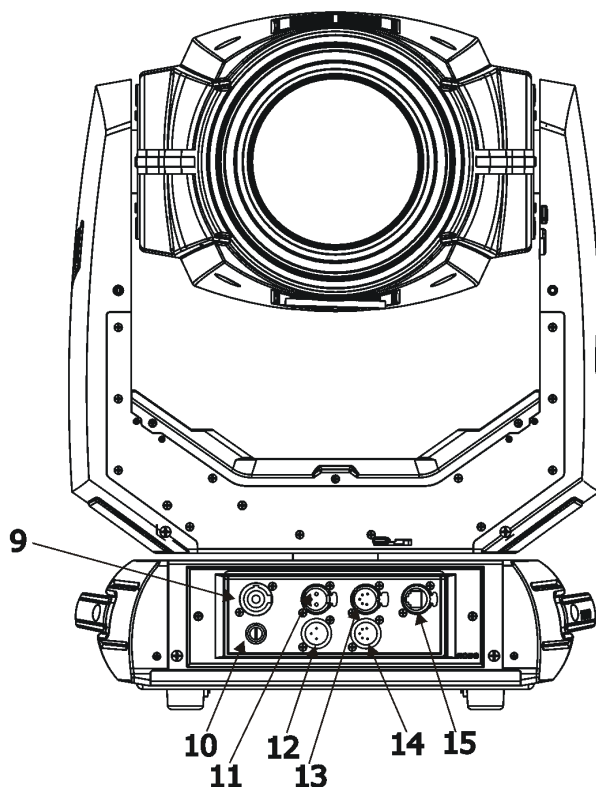
If this device will be operated in any way different to the one described in this manual, the product may suffer damages and the guarantee becomes void. Furthermore, any other operation may lead to dangers like short-circuit, burns, electric shock, burns etc.

**CAUTION!**  
***To avoid damage of the internal parts of the fixture head, never let the sunlight or other fixture lights directly to the front lens, even when the fixture is not working!***

### 3. Fixture exterior view



- 1 - Head
- 2 - Front lens
- 3 - Tilt lock
- 4 - Pan lock
- 5 - Handles
- 6 - Control buttons
- 7 - Touch screen
- 8 - Yoke



- 9 - Power (Neutrik PowerCon)
- 10 - Fuse holder
- 11 - DMX OUT (3-pin)
- 12 - DMX IN (3-pin)
- 13 - DMX OUT (5-pin)
- 14 - DMX IN (5-pin)
- 15 - Ethernet (RJ45)

The head has to be locked for transportation- the tilt lock latch (3) and the pan lock latch (4) have to be in the locked positions. To unlock the head, move these latches to unlock positions before operating the fixture. The ENTER/DISPLAY ON button also serves for switching the display on when the fixture is disconnected from the mains.

## 4. Installation



**Fixtures must be installed by a Qualified electrician in accordance with all national and local electrical and construction codes and regulations.**

### 4.1 Connection to the mains

**For protection from electric shock, the fixture must be earthed!**

The Robin Viva CMY is equipped with auto-switching power supply that automatically adjusts to any 50-60Hz AC power source from 100-240 Volts.

Power cord is enclosed to the fixture. Install a suitable plug on the power cord if needed, note that the cores in the power cord are coloured according to the following table. The earth has to be connected!

If you have any doubts about proper installation, consult a qualified electrician.

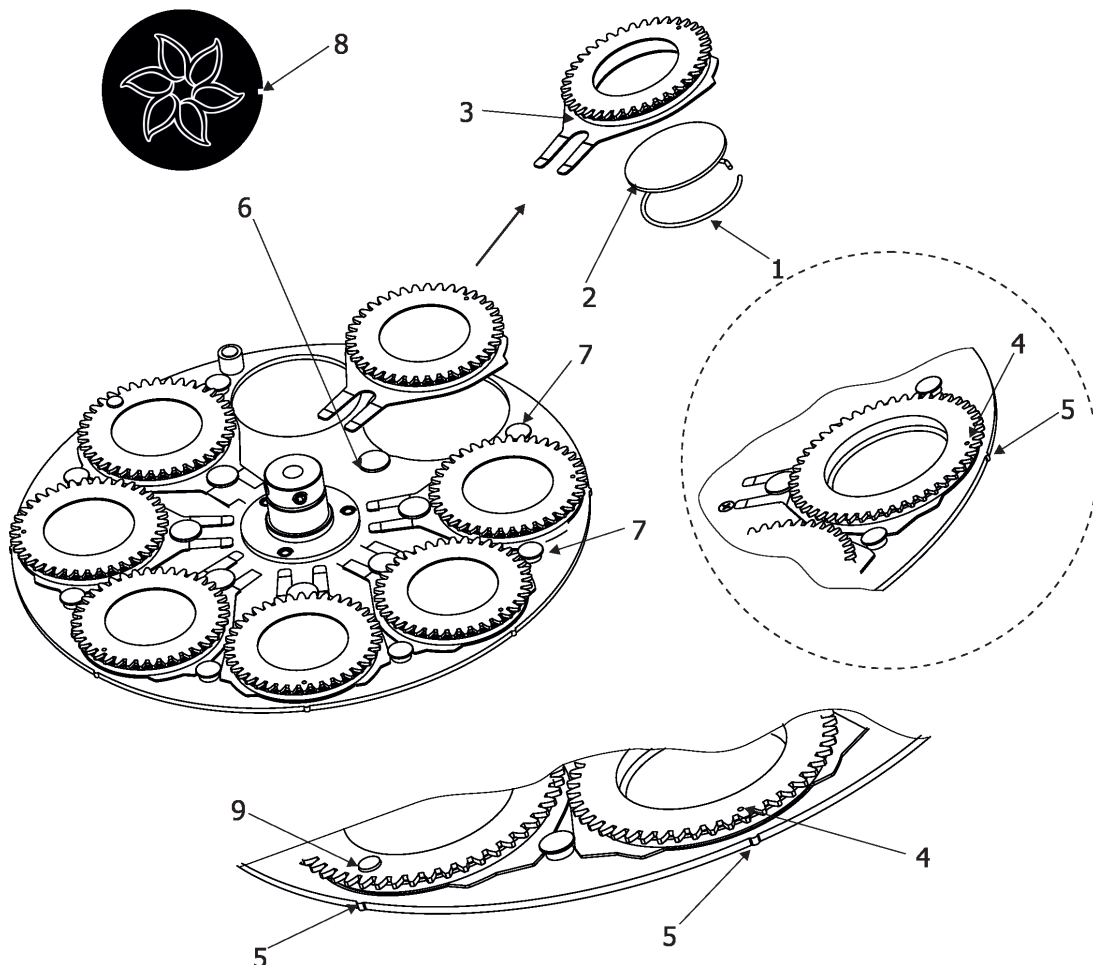
| Core (EU)    | Core (US) | Connection | Plug Terminal Marking |
|--------------|-----------|------------|-----------------------|
| Brown        | Black     | Live       | L                     |
| Light blue   | White     | Neutral    | N                     |
| Yellow/Green | Green     | Earth      |                       |

## 4.2 Replacing rotating gobos

### **DANGER!**

**Install the gobos with the device switched off only.  
Unplug from mains before!**

1. Disconnect the fixture from mains and allow it to cool.
  2. Remove the plastic cover of the head by loosening the 4 quarter-turn fasteners on the cover.
  3. Gently pull up the gobo holder (3) from the rotation gobo wheel.
  4. Remove the spring lock (1) with an appropriate tool (e.g. small-bladed screwdriver) and remove it.  
Do not touch the surface of the pattern of the glass gobo with bare fingers.
  5. Remove the original gobo (2) and insert the new one (glazy side towards the light source).  
The Robe gobo has a small position point (8) at its edge which has to aimed at the position point (4) on the gobo holder (4). Insert the spring lock to secure correct gobo position in the gobo holder.
  6. Insert the gobo holder back under the distance slots (6, 7) into rotating gobo wheel in this way, that its position point (4) has to aimed at a small toothlike projection (5) on the edge of the rotating gobo wheel.  
**Important!** When inserting the gobo holder back to the rotating gobo wheel, one of the adjacent gobo holder has to be oriented according to the same rule, it means that its position point (4) has to aimed at the toothlike projection (5) on the edge of the rotating gobo wheel. You have keep both marks (4) and (5) side by side when rotating the gobo wheel to the position allows inserting the gobo holder back.
  5. Replace the plastic cover before applying power.
  6. Use the menu Service to fine adjust replaced gobo (Service -> Calibration -> Calibrate effects -> R. Gobo Index 1 ...R. Gobo Index 6).
- Note. The magnet (9) of the gobo holder has the same function as the position point (4) on the rest of gobo holders.

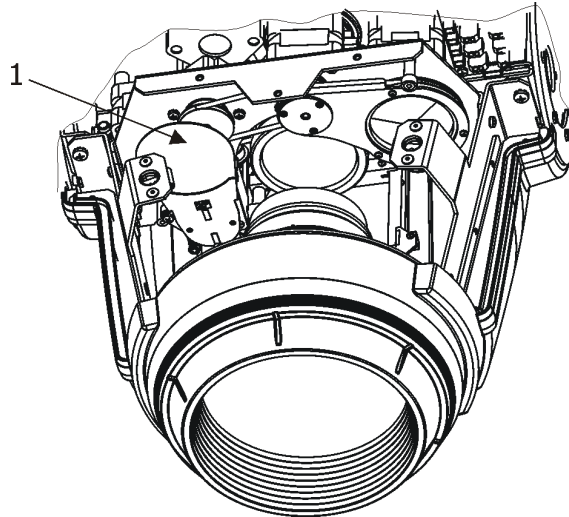


## 4.3 Replacing the frost

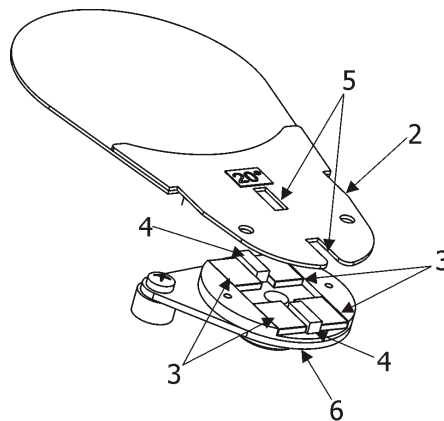
***Install the frost module with the device switched off only.  
Unplug from mains before!***

To replace the frost module.

1. Disconnect the fixture from mains and allow it to cool for 10 minutes.
2. Remove plastic cover of the head by loosening the 4 quarter-turn fasteners on the cover to get access to the frost module (1).



3. The holder (2) of the frost film is fastened to the frost holder (6) by means of the four magnets (3). Grip the holder (2) and carefully tilt it out to break a force of magnets (3) on the frost holder (6).



4. Insert a new frost module into the frost holder (6). Check, that both slots (5) snapped correctly into two protrusions (4) on the holder (6)
5. Place the plastic cover back on the fixture before applying power.



## 4.4 Rigging the fixture

The installation of the fixture has to be built and constructed in a way that it can hold 10 times the weight for 1 hour without any harming deformation.

The installation must always be secured with a secondary safety attachment, e.g. an appropriate catch net. This secondary safety attachment must be constructed in a way that no part of the installation can fall down if the main attachment fails.

When rigging, derigging or servicing the fixture staying in the area below the installation place, on bridges, under high working places and other endangered areas is forbidden.

The operator has to make sure that safety-relating and machine-technical installations are approved by an expert before taking into operation for the first time and after changes before taking into operation another time.

The operator has to make sure that safety-relating and machine-technical installations are approved by an expert after every four year in the course of an acceptance test.

The operator has to make sure that safety-relating and machine-technical installations are approved by a skilled person once a year.

The projector should be installed outside areas where persons may walk by or be seated.

**IMPORTANT! OVERHEAD RIGGING REQUIRES EXTENSIVE EXPERIENCE**, including (but not limited to) calculating working load limits, installation material being used, and periodic safety inspection of all installation material and the fixture. If you lack these qualifications, do not attempt the installation yourself, but instead use a professional structural rigger. Improper installation can result in bodily injury or damage to property.

The fixture has to be installed out of the reach of people.

If the fixture shall be lowered from the ceiling or high joists, professional trussing systems have to be used. The fixture must never be fixed swinging freely in the room.

**Caution:** Fixtures may cause severe injuries when crashing down! If you have doubts concerning the safety of a possible installation, do not install the moving head!

Before rigging make sure that the installation area can hold a minimum point load of 10 times the fixture's weight.

**Danger of fire !**  
**When installing the device, make sure there is no highly inflammable material (decoration articles, etc.) in a distance of min. 0.5 m.**

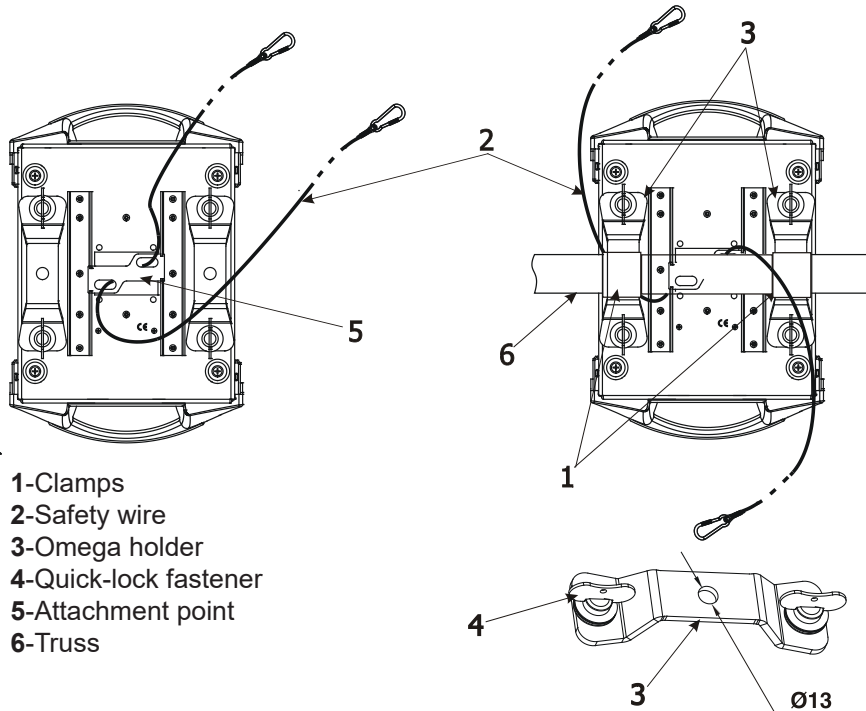
**CAUTION!**  
**Use 2 appropriate clamps to rig the fixture on the truss.**  
**Follow the instructions mentioned at the bottom of the base.**  
**Make sure that the device is fixed properly! Ensure that the structure (truss) to which you are attaching the fixtures is secure.**

The fixture can be placed directly on the stage floor or rigged in any orientation on a truss without altering its operation characteristics .

For securing a fixture to the truss, install a safety wire that can hold at least 10 times the weight of the fixture. Use only the safety wire with screw-on carabine. Pull the safety wire through the safety attachment point on the bottom of the base and around the truss as shown on the pictures below.

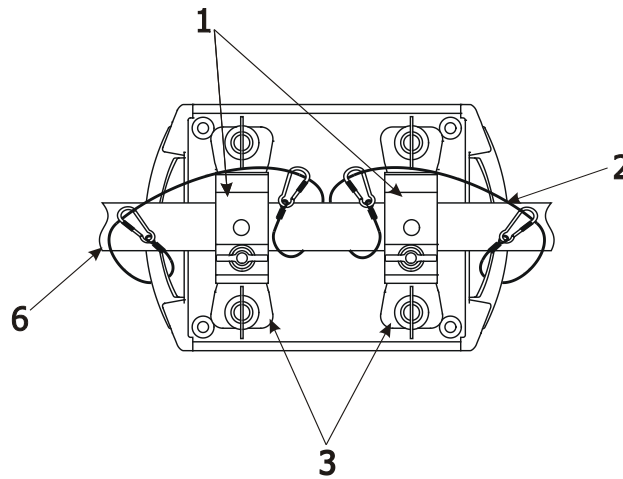
### Truss installation

1. Bolt each clamp (1) to the omega holder (3) with M12 bolt and lock nut through the hole in the holder.
2. Fasten the omega holders on the bottom of the base by inserting both quick-lock fasteners (4) into the holes of the base and tighten fully clockwise.
3. Pull the safety wire (2) through the attachment point and around the truss (6).



- 1-Clamps
- 2-Safety wire
- 3-Omega holder
- 4-Quick-lock fastener
- 5-Attachment point
- 6-Truss

Alternatively, fixtures handles can be used for safety attachment



**When installing fixtures side-by-side,  
avoid illuminating one fixture with another!**

**DANGER TO LIFE!**  
Before taking into operation for the first time, the installation has to be approved by an expert!

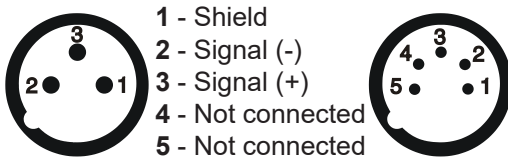
## 4.5 DMX-512 connection

The fixture is equipped with both 3-pin and 5-pin XLR sockets for DMX input and output. The sockets are wired in parallel.

Only use a shielded twisted-pair cable designed for RS-485 and 3-pin or 5-pin XLR-plugs and connectors in order to connect the controller with the fixture or one fixture with another.

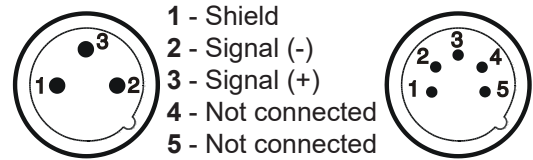
### DMX - output

XLR mounting-sockets (rear view):



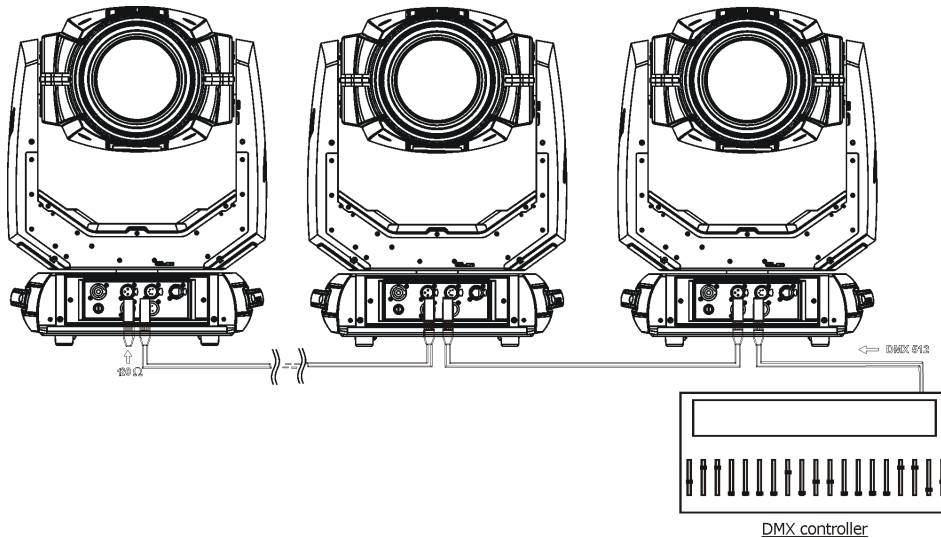
### DMX-input

XLR mounting-plugs (rear view):



If you are using the standard DMX controllers, you can connect the DMX output of the controller directly with the DMX input of the first fixture in the DMX-chain. If you wish to connect DMX-controllers with other XLR-out-puts, you need to use adapter-cables.

### Building a serial DMX-chain:



Connect the DMX-output of the first fixture in the DMX-chain with the DMX-input of the next fixture. Always connect one output with the input of the next fixture until all fixtures are connected.

**Caution:** At the last fixture, the DMX-cable has to be terminated with a terminator. Solder a 120  $\Omega$  resistor between Signal (-) and Signal (+) into a 3-pin XLR-plug and plug it in the DMX-output of the last fixture.

## 4.6 Ethernet connection

The fixtures on a data link are connected to the Ethernet with ArtNet communication protocol. The control software running on your PC (or light console) has to support Art-Net protocol.

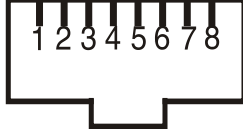
Art-Net communication protocol is a 10 Base T Ethernet protocol based on the TCP/IP. Its purpose is to allow transfer of large amounts of DMX 512 data over a wide area using standard network technology.

**IP address** is the Internet protocol address. The IP uniquely identifies any node (fixture) on a network.

**The Universe** is a single DMX 512 frame of 512 channels.

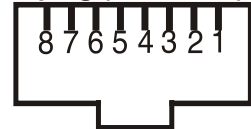
The Robin Viva CMY is equipped with 8-pin RJ-45 socket for Ethernet input. Use a network cable category 5 (with four "twisted" wire pairs) and standard RJ-45 plugs in order to connect the fixture to the network.

**RJ-45 socket (front view):**



- |                  |                  |
|------------------|------------------|
| 1- TD+           | 5- Not connected |
| 2- TD-           | 6- RX-           |
| 3- RX+           | 7- Not connected |
| 4- Not connected | 8- Not connected |

**RJ-45 plug (front view):**




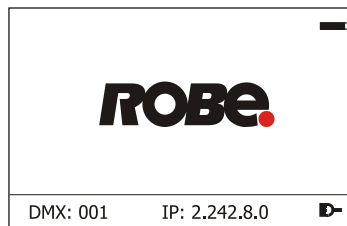
Patch cables that connect fixtures to the hubs or LAN sockets are wired 1:1, that is, pins with the same numbers are connected together:



If only the fixture and the computer are to be interconnected, no hubs or other active components are needed. A cross-cable has to be used:



If the fixture is connected with active Ethernet socket (e.g. switch) the network icon  will appear at the bottom right corner of the screen:



### Direct Ethernet operation

Connect the Ethernet inputs of all fixtures with the Ethernet network.

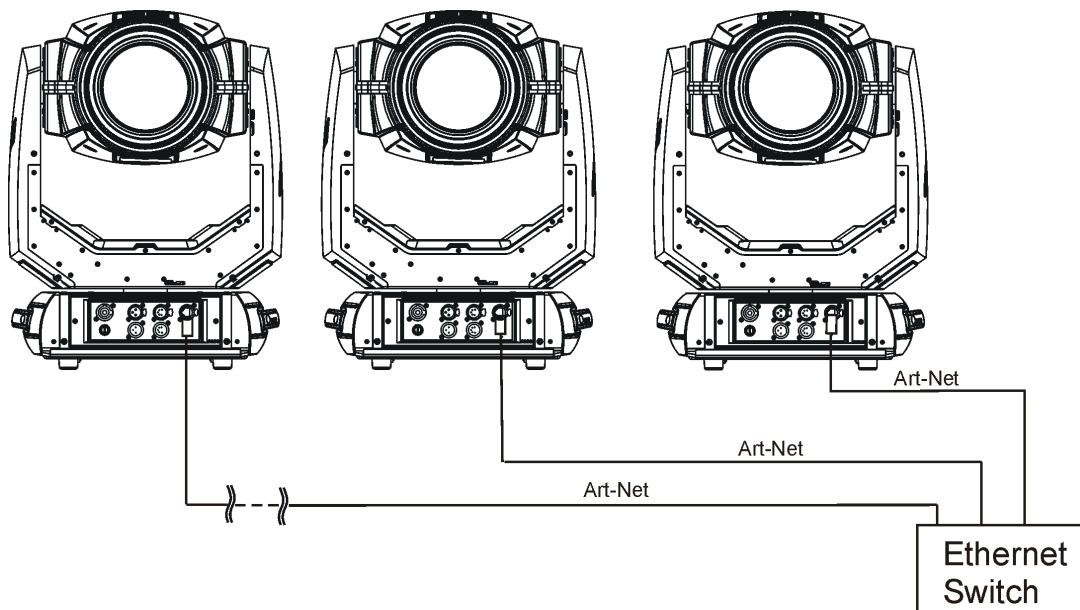
Option "Artnet (gMal or gMA2)" has to be selected from "Ethernet Mode" menu on the fixture.

Set IP address (002.xxx.xxx.xxx / 010.xxx.xxx.xxx) and the Universe.

(DMX address=97)  
IP address=002.168.002.004  
Universe=1

(DMX address=33)  
IP address=002.168.002.003  
Universe=1

(DMX address=1)  
IP address=002.168.002.002  
Universe=1



An advised PC setting: IP address: 002.xxx.xxx.xxx / 010.xxx.xxx.xxx (Different from fixture IP addresses)  
NET mask: 255.0.0.0

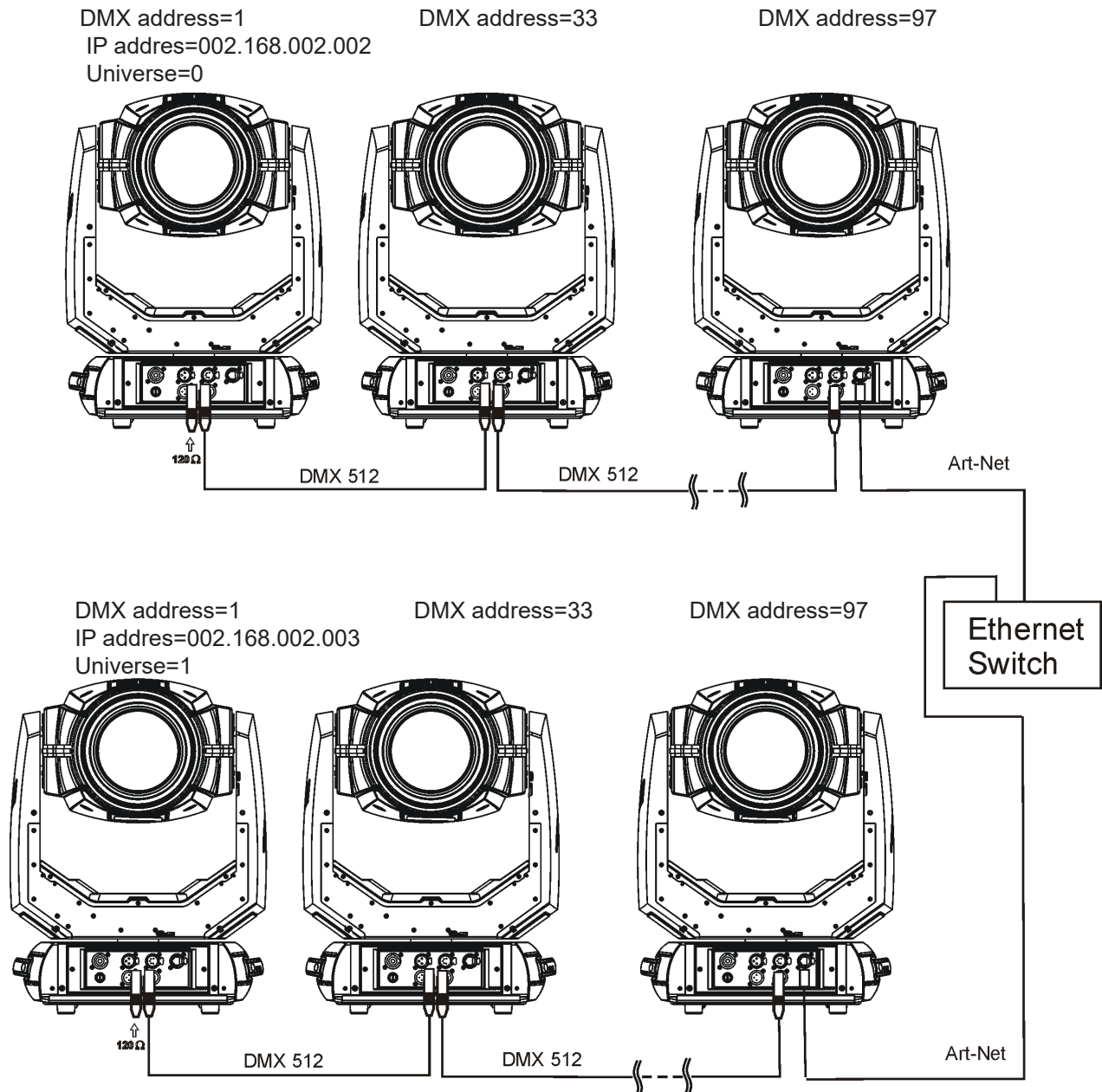
## Ethernet / DMX operation

Option "Artnet" (gMal or gMA2 or sACN) has to be selected from "Ethernet Mode" menu at first fixture.

Option "Ethernet To DMX" has to be selected from the "Ethernet Mode" menu at the first fixture (connected to the Ethernet) in the fixture chain, next fixtures have standard DMX setting.

Connect the Ethernet input of the first fixture in the data chain with the network. Connect the DMX output of this fixture with the input of the next fixture until all fixtures are connected to the DMX chain.

**Caution:** At the last fixture, the DMX chain has to be terminated with a terminator. Solder a 120  $\Omega$  resistor between Signal (-) and Signal (+) into a XLR-plug and connect it in the DMX-output of the last fixture.



## 5. Remotely controllable functions

### Light source

The 350W white LED light engine gives an extra punchy beam.

### Colour wheel

This wheel contains 6 dichroic filters + open. The colour wheel can be positioned between two adjacent colours in any position. It is also possible to rotate the colour wheel continuously at different speeds ("Rainbow effect" in both directions).

### CMY colour mixing system

The CMY color mixing system is based on graduated cyan, magenta, and yellow colour filters. A continuous range of colors may be achieved by varying the amount of each filter from 0 to 100%.

### Static gobo wheel

The static gobo wheel includes 9 metal gobos. Gobo positioning and a gobo-shake function is available.

### Rotating gobo wheel

The rotating gobo wheel includes 7 gobos rotating in both directions, indexable, replaceable "SLOT&LOCK" glass gobos + open position. Gobo positioning and gobo selection speed is available as well as a gobo-shake function.

### Prism

The 3-facet prism rotates in both directions at different speeds, 16 prism/gobo macros are available.

### Frost

Replaceable frost module provides variable frost for fine frosting.

### Iris

Motorized adjustable iris, wide range of variable pulse effects.

### Zoom

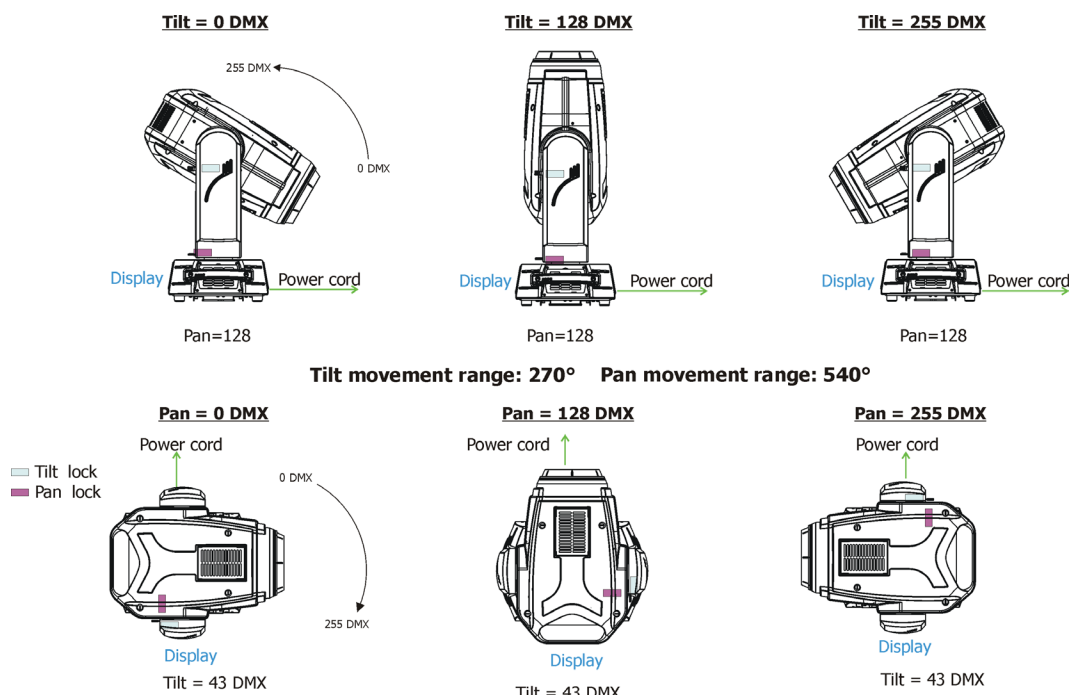
Motorized zoom unit enables zoom between 8° and 40° beam angle.

### Dimmer/Shutter unit

Smooth 0 - 100 % dimming is provided by the electronic control unit. This unit is also used for strobe effects with variable speed.

### Pan/Tilt



Fast pan/tilt movement due to built-in electronic motion stabilizer. The electronic motion stabilizer ensures precise position of the fixture's head during its movement and reduces its swinging when the truss shakes.





## 6. Control menu map

Default settings=**Bold print**

| Tab   | Level 1              | Level 2                 | Level 3            | Level 4     | Level 5 | Level 6 |
|---|----------------------|-------------------------|--------------------|-------------|---------|---------|
| Addressing  | DMX Address          | 001-512                 |                    |             |         |         |
|    | DMX Presets          | <b>Mode 1</b>           |                    |             |         |         |
|   |                      | Mode 2                  |                    |             |         |         |
|   |                      | View Selected Preset    |                    |             |         |         |
|   | Ethernet Settings    | Ethernet Mode           | Disable            |             |         |         |
|   |                      |                         | ArtNet             |             |         |         |
|   |                      |                         | gMAI               |             |         |         |
|   |                      |                         | gMA2               |             |         |         |
|   |                      |                         | sACN               |             |         |         |
|   |                      | Ethernet To DMX         | <b>Off, On</b>     |             |         |         |
|   |                      | IP Address/Net Mask     | Default IP Address |             |         |         |
|   |                      |                         | Custom IP Address  |             |         |         |
|   |                      |                         | Net Mask           |             |         |         |
|   |                      | ArtNet Universe         | 0-255              |             |         |         |
|   |                      | MANet settings          | MANet/II Universe  | 01-256      |         |         |
|   |                      |                         | MANet Session ID   | 01-32       |         |         |
|   |                      | sACN Settings           | sACN Universe      | 00001-32000 |         |         |
|   |                      |                         | sACN Priority      | 0-255       |         |         |
| Information   | Fixture Times        | Power On Time           | Total Hours        |             |         |         |
|  |                      |                         | Resetable Hours    |             |         |         |
|   |                      | LEDs On Time            | Total Hours        |             |         |         |
|   |                      |                         | Resetable Hours    |             |         |         |
|   |                      | Air Filters             | Elapsed Time       |             |         |         |
|   |                      |                         | Alert Period       |             |         |         |
|   | Fixture Temperatures | LEDs Temperature        | Current            |             |         |         |
|   |                      |                         | Maximum NonRes.    |             |         |         |
|   |                      |                         | Maximum Res.       |             |         |         |
|   |                      | Ambient Temperature     | Current            |             |         |         |
|   |                      |                         | Maximum NonRes.    |             |         |         |
|   |                      |                         | Maximum Res.       |             |         |         |
|   |                      | Base Temperature        | Current            |             |         |         |
|   |                      |                         | Maximum NonRes.    |             |         |         |
|   |                      |                         | Maximum Res.       |             |         |         |
|   | DMX Values           | Pan                     |                    |             |         |         |
|   |                      | :                       |                    |             |         |         |
|   |                      | Dimmer Fine             |                    |             |         |         |
|   | Wireless State       | Signal Quality          |                    |             |         |         |
|   |                      | Unlink Wireless Adapter |                    |             |         |         |
|   | Power Channel state  |                         |                    |             |         |         |
|   | Software Versions    | Display System          |                    |             |         |         |
|   |                      | Module M                |                    |             |         |         |
|   |                      | Module D                |                    |             |         |         |
|   |                      | Module G                |                    |             |         |         |
|   |                      | Module O                |                    |             |         |         |
|   |                      | Module C                |                    |             |         |         |
|   | Product IDs          | Mac Address             |                    |             |         |         |
|   |                      | RDM UID                 |                    |             |         |         |
|   |                      | RDM Label               |                    |             |         |         |
|   | View Logs            | Fixture Errors          |                    |             |         |         |

| Tab   | Level 1                | Level 2                 | Level 3              | Level 4        | Level 5 | Level 6 |
|---|------------------------|-------------------------|----------------------|----------------|---------|---------|
|   |                        | Fixture States          | Power On             |                |         |         |
|   |                        |                         | Power Off            |                |         |         |
|   |                        | Fixture Position        |                      |                |         |         |
|   |                        | Fixture Temperatures    | LED Temperatures     |                |         |         |
|   |                        |                         | Ambient Temperatures |                |         |         |
|   |                        |                         | Base Temperatures    |                |         |         |
|   |                        |                         |                      |                |         |         |
| Personality   | User Mode              | User A Settings         |                      |                |         |         |
|    |                        | User B Settings         |                      |                |         |         |
|   |                        |                         |                      |                |         |         |
|   | DMX Presets            | <b>Mode 1</b>           |                      |                |         |         |
|   |                        | Mode 2                  |                      |                |         |         |
|   |                        | View Selected Preset    |                      |                |         |         |
|   | DMX Input              | <b>Wired input</b>      |                      |                |         |         |
|   |                        | Wireless input          |                      |                |         |         |
|   |                        | Wireless In/XLR Out     |                      |                |         |         |
|   | Pan/Tilt Settings      | Pan Reverse             | <b>Off, On</b>       |                |         |         |
|   |                        | Tilt Reverse            | <b>Off, On</b>       |                |         |         |
|   |                        | Pan/Tilt Feedback       | <b>Off, On</b>       |                |         |         |
|   |                        | Pan/Tilt mode           | Time                 |                |         |         |
|   |                        |                         | <b>Speed</b>         |                |         |         |
|   | Pan/Tilt EMS           | <b>On, Off</b>          |                      |                |         |         |
|   | Microphone Sensitivity | <b>1-10-20</b>          |                      |                |         |         |
|   | Blackout Settings      | Blackout During M.C.    | <b>Off, On</b>       |                |         |         |
|   |                        | Blackout while:         | Pan/Tilt moving      | <b>Off, On</b> |         |         |
|   |                        |                         | Colour Wheel Moving  | <b>Off, On</b> |         |         |
|   | Init Effect Positions  | Pan                     | 0-255                |                |         |         |
|   |                        | :                       |                      |                |         |         |
|   |                        | Dimmer Fine             | 0-255                |                |         |         |
|   | Screen Settings        | Display Intensity       | <b>1-10</b>          |                |         |         |
|   |                        | Screen Saver Delay      | <b>Off-10min.</b>    |                |         |         |
|   |                        | Touchscreen Lock        | <b>Off-10min.</b>    |                |         |         |
|   |                        | Recalibrate Touchscreen |                      |                |         |         |
|   |                        | Display Orientation     | Normal               |                |         |         |
|   |                        |                         | Inverted             |                |         |         |
|   |                        |                         | <b>Auto</b>          |                |         |         |
|   | Temperature Unit       | <b>°C, °F</b>           |                      |                |         |         |
|   | Fan Mode               | <b>Auto</b>             |                      |                |         |         |
|   |                        | High                    |                      |                |         |         |
|   |                        | Quiet                   |                      |                |         |         |
|   | Dimmer Curve           | Linear                  |                      |                |         |         |
|   |                        | <b>Square law</b>       |                      |                |         |         |
|   | Date & Time Settings   |                         |                      |                |         |         |
|   | Default Settings       |                         |                      |                |         |         |
|   | Password Protection    | <b>Off, On</b>          |                      |                |         |         |
|   |                        |                         |                      |                |         |         |
| Manual Control  | Reset Functions        | Total System Reset      |                      |                |         |         |
|  |                        | Pan, Tilt reset         |                      |                |         |         |
|   |                        | Colour System Reset     |                      |                |         |         |
|   |                        | Iris, Gobo System Reset |                      |                |         |         |
|   |                        | Optics/Prism/Frost Res. |                      |                |         |         |
|   | Manual Effect Control  | Pan                     | 0-255                |                |         |         |
|   |                        | :                       |                      |                |         |         |
|   |                        | Dimmer Fine             | 0-255                |                |         |         |
|   |                        |                         |                      |                |         |         |



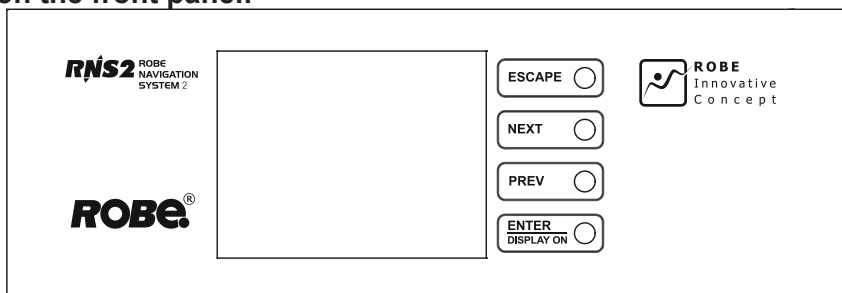
| Tab   | Level 1           | Level 2                   | Level 3            | Level 4  | Level 5     | Level 6     |
|---|-------------------|---------------------------|--------------------|----------|-------------|-------------|
| Stand -Alone  | Test Sequences    | Dynamic Mode              |                    |          |             |             |
|    |                   | Static Mode               | Pan                | 0-255    |             |             |
|   |                   |                           | Tilt               | 0-255    |             |             |
|   |                   |                           | Zoom               | 0-255    |             |             |
|   |                   |                           | Focus              | 0-255    |             |             |
|   | MusicTrigger      | Off, On                   |                    |          |             |             |
|   | Preset Playback   | None                      |                    |          |             |             |
|   |                   | Test                      |                    |          |             |             |
|   |                   | Prg. 1                    |                    |          |             |             |
|   |                   | Prg. 2                    |                    |          |             |             |
|   |                   | Prg. 3                    |                    |          |             |             |
|   | Play Program      | Play Program 1            |                    |          |             |             |
|   |                   | Play Program 2            |                    |          |             |             |
|   |                   | Play Program 3            |                    |          |             |             |
|   | Edit Program      | Edit Program 1            | Start Step         | 1-100    |             |             |
|   |                   |                           | End Step           | 1-100    |             |             |
|   |                   |                           | Edit Program Steps | Step 1   | Pan         | 0-255       |
|   |                   |                           |                    | :        | :           |             |
|   |                   |                           |                    | :        | Dimmer Fine | 0-255       |
|   |                   |                           |                    | :        | Step Time   | 0-25,5 sec. |
|   |                   |                           |                    | Step 100 | Pan         | 0-255       |
|   |                   |                           |                    |          | :           |             |
|   |                   |                           |                    |          | Dimmer Fine | 0-255       |
|   |                   |                           |                    |          | Step Time   | 0-25,5 sec. |
| Service   | Adjust DMX Values | Pan                       | 0-255              |          |             |             |
|  |                   | :                         |                    |          |             |             |
|   |                   | Dimmer Fine               | 0-255              |          |             |             |
|   | Calibrations      | Calibrate Effects         | Pan                | 0-255    |             |             |
|   |                   |                           | :                  |          |             |             |
|   |                   |                           | Iris               | 0-255    |             |             |
|   |                   | Calibrate Pan/Tilt<br>EMS |                    |          |             |             |
|   |                   | Load Default Calibrations |                    |          |             |             |
|   | Update Software   |                           |                    |          |             |             |

## 7. Control menu

The Robin Viva CMY is equipped with the QVGA Robe touch screen with battery backup which allows to set the fixture's behaviour according to your needs, obtain information on its operation, test its various parts and lastly program it, if it has to be used in a stand-alone mode.

The fixture's menu can be controlled either by the control buttons or directly by touching the icon.

### Control buttons on the front panel:



[ESCAPE] button used to leave the menu without saving changes.

[NEXT] , [PREV] buttons for moving between menu items and symbols, adjusting values.

[ENTER/Display On] button used to enter the selected menu (menu item) and to confirm adjusted value.

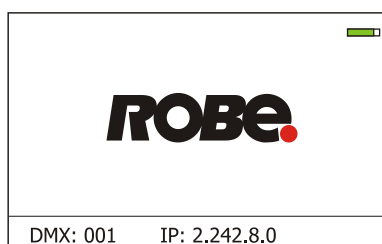
**If the fixture is disconnected from mains, the button switches the touch screen on.**

### Icons used in the touch screen menu:

- [back arrow] used to move back to the previous screen (menu).
- [up arrow] used to move up on the previous page.
- [down arrow] used to move down on the next page.
- [confirm] used to save adjusted values, to leave menu or to perform desired action.
- [cancel] used to leave menu item without saving changes.
- [confirm+copy] used to save adjusted values and copy them to the next prog. step.
- [warning icon] used to indicate some error which has occurred in the fixture.
- [Ethernet] used to indicate Ethernet connected.
- [menu rotation] used to rotate menu 180 degrees from current orientation.
- [slider control] used to recall slider system for setting desired value.
- [keyboard control] used to recall keyboard system for setting desired value.
- [air filters cleaning] used to signal that cleaning period of the air filters elapsed.

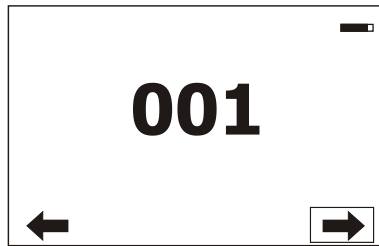
The menu page displays icons for each function that you can perform from the touch screen.

After switching the fixture on, the touch screen shows the screen with the ROBE logo:



The green icon at the top right corner of the screen indicates the level of the display battery charging. If the whole icon is green, the battery is fully charged while the red icon indicates exhausted battery. The battery charges during fixture operation.

Touch any part of the screen or press the [ENTER/Display On] button to display the initial screen with the current stored DMX address:



Touch the green arrow at the bottom right corner of the screen or press the [ENTER/Display On] button to enter the "Address" menu.

An item (such as a Tab, menu item, text box, icon) may be selected from a screen by simply touching the item in the list or by pressing the [NEXT] or [PREV] buttons to scroll through list items. With each press, the next item is highlighted. Press [ENTER/Display On] to select the highlighted item.

**Before first fixture operation, set current date and time in the menu "Date & Time Settings" (menu path: Personality--> Date & Time Settings).**

Note: The green icon at the top right corner of the screen indicates the level of the display battery charging. If the whole icon is green, the battery is fully charged while the red icon indicates exhausted battery. The battery charges during fixture operation, its charging lasts cca 6 hours.

We recommend that the fixture should be in operation at least 7 hours per week to keep the battery fully charged. If you switch the fixture on and this screen will not appear till 1 minute, switch the fixture off and on again. If the screen lights, the battery is exhausted. In case the screen still does not light, the battery is faulty.

This is also indicated by an error message "Faulty battery" and if such an error message appears the battery should be replaced immediately. The lifetime of the battery is highly dependent on ambient temperature (and consequently on base temperature). If the maximum ambient temperatures (as recorded and displayed in menu: Information -> Fixture Temperatures -> Ambient Temperature -> Maximum NonRes.) are kept within the specified limits, the battery should last for at least two years. Should the ambient temperatures exceed the specified maximum temperature, the lifetime of the batteries could be considerably shortened even up to just one year or less and also result in physical damage (battery leakage) or unreliable fixture functions.

Damage caused by batteries failed due to exceeded maximum ambient temperature cannot be claimed under warranty terms.

## 7.1 Tab "Address"



**DMX Address** - Select the menu to set the DMX start address.

**DMX Preset** - Use the menu to select desired channel mode.

**Mode 1** - 32 control channels

**Mode 2** - 26 control channels

**View Selected Preset** - Use the menu to display channels included in the selected mode.

**Ethernet Settings** - The menu allows all needed settings for the Ethernet operation

### **Ethernet Mode**

**Disable** - The option disables Ethernet operation.

**Artnet** - Fixture receives Artnet protocol

**gMAI** - Fixture receives MANet 1 protocol

**gMA2** - Fixture receives MANet 2 protocol

**sACN** - Fixture receives sACN protocol

**Ethernet To DMX** - Fixture receives protocol from the Ethernet input and sends DMX data to its DMX output (fixture works as an "Ethernet/DMX converter", next fixture can be connected to its DMX output and you can build a standard DMX chain by connecting another fixtures.

Only one fixture has to be connected to the Ethernet.

**IP Address/Net Mask** - Select this menu to set IP address. IP address is the Internet protocol address. The IP uniquely identifies any node (fixture) on a network.

There cannot be 2 fixtures with the same IP address on the network!

**Default IP Address** - Preset IP address, you can set up only first byte of IP address (2 or 10) e.g. **002.019.052.086**.

**Custom IP Address** - The option enables to set up all bytes of IP address.

**Net Mask** - The option enables to set up all bytes of Net Mask.

**ArtNet Universe** - Use this item to set a Universe (0-255). The Universe is a single DMX 512 frame of 512 channels.

**MANet Settings** - Use this menu to set parameters for MANet operation.

**MANet Universe I/II** - The value of this item can be set in range 1-256.

**MANet Session ID** - The value of this item can be set in range 1-32.

**sACN Settings** - Use this menu to set parameters for sACN operation.

**sACN Universe** - The value of this item can be set in range 1-32000.

**sACN Priority** - The value of this item can be set in range 0-255.

## 7.2 Tab "Information"



**Fixture Times** - The menu provides readouts of fixture and LED module operation hours.

**Power On Time Hours** - Select this menu to read the number of fixture operation hours.

**Total Hours** - The item shows the total number of the operation hours since the Robin Viva CMY has been fabricated.

**Resetable Hours** - The item shows the number of the operation hours that the Robin Viva CMY has been powered on since the counter was last reset.

In order to reset this counter to 0, touch the text box next to the item "Resetable Hours:"

**LEDs On Time** - Select this menu to read the number of LED source operation hours.

In order to reset some counter to 0, touch the yellow text box next to desired colour.

**Air Filters** - Regular cleaning of the air filters is very important for the fixture's life and performance.

Build-up of dust, dirt and fog fluid residues reduces the fixture's light output and cooling ability.

The two items of this menu help you to keep cleaning period of the air filters.

**Alert period** - Cleaning schedule for the fixture depends on the operating environment.

It is therefore impossible to specify accurate cleaning interval. This item allows you to change the cleaning interval of the air filters. This "alert" value is 300 hours and it is set as default. Inspect the fixture within its 300 hours of operation to see whether cleaning is necessary. If cleaning is required, clean all air filters and change the value in this menu on acceptable level. Min. level of alert period is 10 hours, max. is 300 hours.

**Elapsed Time** - The item allows you to read the time which remains to cleaning air filters.

The time period is set in the menu mentioned above.

Expired time period is signalled by a negative mark (-) at the time value and a warning icon on the display.

Clean the filters and reset this menu item (by touching the text box next to the item "Elapsed Time").

**Fixture Temperatures** - The menu is used to view temperatures of the fixture's inside.

**LEDs temperatures** - The menu shows temperature on the LED source.

**Cur.** - A current temperature of the LED source.

**Max.** - A maximum temperature of the LED source since the fixture has been fabricated.

**Max. Res.** - A maximum temperature of the LED source since the counter was last reset.

In order to reset some counter to 0, touch desired text box under item "Max.Res."

**Ambient Temperature** - The menu shows temperature of the induced air on the fan in the fixture base .

**Current** - A current temperature of the induced air in the fixture base.

**Maximum NonRes.** - A maximum temperature of the induced air in the fixture base since the fixture has been fabricated.

**Maximum Res.** - A maximum temperature of the induced air in the fixture base since since the counter was last reset.

In order to reset this counter to 0, touch the text box next to the item "Maximum Res."

**Base Temperature** - The menu shows temperature in the fixture base (on the display PCB).

**Current** - A current temperature in the fixture base.

**Maximum NonRes.** - A maximum temperature in the fixture base since the fixture has been fabricated.

**Maximum Res.** - A maximum temperature in the fixture base since the counter was last reset.

In order to reset this counter to 0, touch the text box next to the item "Maximum Res."

**DMX Values** - The menu is used to read DMX values of each channel received by the fixture.

**Wireless State** - The menu serves for reading of the wireless operation status

**Unlink Wireless Adapter** - The menu item allows unlinking the fixture from the transmitter .

**Power Channel State** - The menu item shows state of the Power/Special functions switches.

**Software Version** - Select this item to read the software version of the fixture modules:

**Display System** - A display processor on the display board in the fixture base

**Module M** - A pan/Tilt processor.

**Module D** - A Magenta wheel /Cyan wheel/ Colour wheel/ light source control processor.

**Module G** - A rot. gobo/stat. gobo/iris processor.

**Module O** - A focus/zoom/prism/frost/ processor .

**Module C** - A Colour/Yellow wheel processor

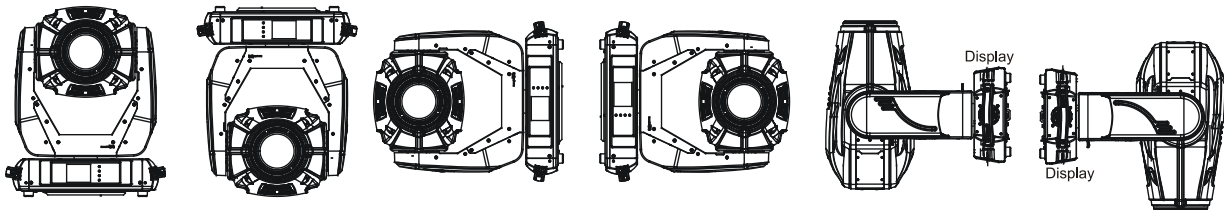
**Product IDs** - The menu is used to read the MAC Address ,RDM UID and RDM Label.

**View Logs** - Use this menu to read fixture's data which have been recorded during fixture operation. This collected data allows easier troubleshooting.

**Fixture Errors** - Use this menu to read fixture errors which have occurred during fixture operation.

**Fixture States** - Recorded following actions: Fixture On, Fixture Off.

**Fixture Position** - Recorded installation positions of the fixture:



Disp-FN

Disp-FI

Disp-ST

Disp-SB

Disp-T

Disp-B

**Fixture Temperatures** - Recorded temperatures which have exceeded defined levels.

Note: The log buffer can contain 8000 records max. If the buffer is full, old data will be overwritten.

## 7.3 Tab "Personality"



**User mode** - The Robin Viva CMY allows you to recall 2 user settings. After switching the fixture on for the first time, the User A settings is active. Now all changes made in the "Personality" menu , "Addressing" menu and the "Music Trigger" and "Preset Playback" items from the "Stand-alone" menu are saved to the User A settings. If you now select the User B settings, from this moment the changes made in these menus will be saved to the User B settings. After switching the fixture off and on, the User B setting is active. In this way you may use the two fixture operating behaviours.

**User A Settings** - the function recalls the user A settings.

**User B Settings** - the function recalls the user B settings.

**DMX Preset** - Use the menu to select desired channel mode.

**Mode 1** - 32 control channels

**Mode 2** - 26 control channels

**View Selected Preset** - Use the menu to display channels included in the selected mode.

**DMX Input**- Use the menu to select mode of receiving DMX signal.

**Wired** - DMX signal is received by means of the standard DMX cable.

**Wireless** - DMX signal is received by means of the inbuilt wireless module.

**Wireless In/XLR Out**- the fixture receives wireless DMX and sends the signal to its wired DMX output.

The fixture behaves as " Wireless/Wired" adapter.

The options "Wired" and "Wireless" are also stated in DMX chart (channel Power/Special functions).

**Pan/Tilt Settings** - Use the menu set behaviour of both pan and tilt movements.

**Pan Reverse** - The item allows to invert pan movement.

**Tilt Reverse** - The item allows to invert tilt movement.

**Pan/Tilt Feedback** - The item allows to return the moving head to the required pan/tilt position after changing the position by an external force if this option is set on.

Note. Be careful, the Pan/Tilt Feedback should be permanent On, the option Off is not suitable for standard operation and the head can be damaged!

**Pan/Tilt mode** - Use this menu to set the mode of the pan/tilt movement

**Time mode** – The pan and tilt will move with different speeds and they will come at the same time to the end point of their tracks (pan and tilt use their optimal speeds).

Time of the pan/tilt movement (25.5 sec. max.) is set by the channel "Pan/Tilt speed, Pan/Tilt time".

**Speed Mode** - Both pan and tilt will move with the same speed as adjusted at the channel "Pan/Tilt speed, Pan/Tilt time".

**Pan/Tilt EMS** - Built-in electronic motion stabilizer ensures precise position of the fixture's head during its movement and also reducing its swinging when the truss shakes.

**Microphone Sensitivity** - Enter the menu if you want to adjust the microphone sensitivity from 1 (max.) to 20 (min.).

**Blackout Settings** - Use the menu if you need to close the light output under certain conditions which are described below

**Blackout DMC** - Blackout during movement correction. Set this option On if you wish to close light output during the time when the head goes to its correct position, which has been changed by an external force.

**Active Blackouts** - Use this menu if you wish to close the light output during effect changes.

**Pan/Tilt Moving** - The menu item enables to close light output while the pan/tilt coordinates are changing.

**Colour Wheel Moving** - The menu item enables to close light output while the colour wheel is moving.

**Init Effect Positions** - Use the menu to set all effects to the desired positions at which they will stay after switching the fixture on without DMX signal connected.

**Screen Settings** - Use this menu to change the touch screen settings.

**Display Intensity** - The item allows to control the intensity of the screen (1-min., 10-max.).

**Screen saver Delay** - The item allows you to keep the screen on or to turn it off automatically after 1-10 minutes after last touch (or pressing any button on the control panel).

**Touchscreen Lock** - The item allows you to lock the screen after last touch (or pressing any button on the control panel). The time delay can be set in range of 1-10 minutes. To unlock the screen, press the [ENTER/Display On] button.


**Recalibrate Touchscreen** - The item starts calibration of the touchscreen. Follow the instructions on the screen.

**Display Orientation** - The menu allows to change display orientation.

**Normal** - Standard display orientation if the fixture is placed horizontally (e.g. on the ground).

**Inverted** - Inverted orientation (needed if the fixture is hanging on the truss).

**Auto** - The option activates a gravitation sensor for automatic screen orientation.

Note: **Auto** option is set as default. You change the display orientation by touching the icon  on the display, and the option set in the "Display Orientation" menu is temporarily overridden.



**Dimmer Curve** - You can select desired dimmer curve: Linear or Square Law.

**Temperature unit** - Use the menu item to change temperature unit from °C to °F.

**Fan Mode** - Use the menu to set the fixture fans to max. fan power mode ("**High**") or to the auto-control mode ("**Auto**"). The third mode ("**Quiet**") allows to set desired noise of the fans and the adjusted noise level is kept during fixture operation. The "**Fan Noise Level**" menu serves for adjusting fans power from min. to max. To switch the fixture to the "Quiet" mode can be also realized by DMX value from range of 241-255 on the "power/Special functions" channel.

Note: the light output at min. level of the fan noise is reduced.

**Date & Time Settings** - Use this menu to set current date and time for the fixture log system (menu "**View Logs**"). Set this menu item before first fixture operation.

**Default Settings** - The menu item allows to set all fixture parameters to the default (factory) values.

**Password Protection** - if the item is on, a password is required to enter the fixture menu. The password cannot be changed. The password prevents unauthorized person from changing setting of the fixture.

## 7.4 Tab "Manual Control"



**Reset Functions** - The menu allows to reset the fixture either per function modules or all modules together.

**Total System Reset** - The item resets all function modules.

**Pan, Tilt Reset** - The item resets a pan and tilt movement.

**Colour System Reset** - The item resets colour wheel and CMY wheels.

**Iris, Gobo System Reset** - The item resets a static/rotating gobo wheel.

**Optics/Prism/Frost Res.** - The item resets a zoom, focus, prism and a frost module.

**Manual Effect control** - Use the menu to control all fixture channels by means of the control panel.

## 7.5 Tab "Stand-alone"



**Test Sequences** - Use the menu to run a test/demo sequences without an external controller, which will show you some possibilities of using Robin Viva CMY.

**Dynamic Mode** - This mode uses all Robin Viva CMY functions including pan/tilt movement and therefore is good for a complete introduction of the fixture.

**Static Mode** - This mode is suitable for projections on the wall, ceiling or ground without any pan/tilt movement. Adjust the pan, tilt, zoom, focus and hot-spot to desired positions and start test sequences by touching the green ► icon.

**Music Trigger** - Use the item to activate the sound control of the running program via the built-in microphone.

**Preset Playback** - This menu allows you to select the program which will be played in a loop after switching the fixture on (the option is commonly used in a stand-alone operation without an external controller).

**None** - The option disables "Presetting playback" function.

**Test** - The option starts the test sequences.

**Prog. 1** - The option starts user program No. 1.

**Prog. 2** - The option starts user program No. 2.

**Prog. 3** - The option starts user program No. 3.

**Play program** - Use the menu to run desired program in a loop.

**Play Program 1** - The option starts user program No.1.

**Play Program 2** - The option starts user program No. 2.

**Play Program 3** - The option starts user program No. 3.

**Edit Program** - Use the menu to create or to edit desired program. The Robin Viva CMY offers 3 free programs, each up to 100 steps.

**Edit Program 1** - The option allows to edit user program No.1.






**Edit Program 2** - The option allows to edit user program No.2.

**Edit Program 3** - The option allows to edit user program No.3

To edit program:

1. Touch the item which you want to edit ("Edit Program 1" - "Edit Program 3").
2. Touch the item "Edit Program Steps".
3. Touch the item "Step 1".
4. From the list of effects touch desired effect and set its value. Browse through the list by touching the [up arrow] and [down arrow] and set all desired effects.  
An item "Step Time" (value of 0-25.5 sec.) is the time during which effects last in the current step
5. Save adjusted effects to the current step by touching the [confirm] or save and copy them to the following step by touching the [confirm+copy]. By touching the text box "Preview" next to the current program step you can view created scene.
6. Repeat the steps 4 and 5 for next program steps.
7. After editing desired program steps, adjust the length of the program by touching the text boxes "Start Step" and "End Step".

Meaning of the icons used in the "Edit Program" menu:

-  - moves down on the next page
-  - moves up on the previous page
-  - saves adjusted values and leaves menu
-  - saves values to the current step and copy them to the following prog. step
-  - leaves menu without saving values

There is a chart describing behaviour of items "Pan/Tilt Macro" and "P./T. Macro Speed".

|            |  |
|------------|--|
| <b>DMX</b> | <b>Pan/Tilt Macro</b>                            |
| 0 - 9      | Disabled pan/tilt macro                          |
| 10 - 31    | Reserved   |
| 32 - 63    | Figure of circle (from small to large)           |
| 64 - 95    | Figure of horizontal eight (from small to large) |
| 96 - 127   | Figure of vertical eight (from small to large)   |
| 128 - 159  | Figure of rectangle (from small to large)        |
| 160 - 191  | Figure of triangle (from small to large)         |
| 192 - 223  | Figure of star (from small to large)             |
| 224 - 255  | Figure of cross (from small to large)            |
|            | <b>Pan/Tilt Macro Speed</b>                      |
| 0          | No macro generation                              |
|            | Macro generation from fast to slow-forwards      |
|            | No macro generation                              |
|            | Macro generation from slow to fast-backwards     |

## 7.6 Tab "Service"



**Adjust DMX Values** - The menu allows you to set all effects to desired positions before fine calibration of the effects .

**Calibrations** - This menu enables fine calibration of fixture effects and download default calibration values.

**Calibrate Effects** - The menu allows the fine adjustment of effects. The menu contains list of effects which can be calibrated:

- Pan**- a fine pan movement
- Tilt** - a fine tilt movement
- Colour Wheel** - a colour wheel
- Cyan** - a cyan wheel
- Magenta** - a magenta wheel
- Yellow** - a yellow wheel
- Static Gobo** - a static gobo wheel movement
- Rot. Gobo Wheel** - a carousel of rotating gobos



- R. Gobo Index 1** - a fine movement of rotating gobo 1
- R. Gobo Index 2** - a fine movement of rotating gobo 2
- R. Gobo Index 3** - a fine movement of rotating gobo 3
- R. Gobo Index 4** - a fine movement of rotating gobo 4
- R. Gobo Index 5** - a fine movement of rotating gobo 5
- R. Gobo Index 6** - a fine movement of rotating gobo 6
- R. Gobo Index 7** - a fine movement of rotating gobo 7
- Prism** - a prism movement
- Prism Rot** - a prism rotation
- Zoom** - a zoom module
- Frost 1/1** - a frost position 1
- Frost 1/2** - a frost position 2
- Focus** - a focus module
- Iris** - an iris module

By using these items you can calibrate and adjust effects to their right positions.

### **Calibration via the control board**

1. Disconnect DMX controller from the fixture and enter the "Calibrate Effects" menu.
2. Use the [up arrow] and [down arrow] to find desired effect and touch it to enter the fine effect adjustment screen.
3. Set desired value and save it by touching the [confirm].
4. Repeat steps 2 and 3 for the next effects.
5. After calibrating all effects, touch the [confirm] to save all adjusted values and reset the fixture.

### **Calibration via the DMX controller**

1. Connect DMX controller to the fixture and set fixture effects to the desired positions before fine calibration.
2. Enter the "Calibrate Effects" menu and now you can exactly calibrate desired effects by DMX controller.

There is a calibration protocol:

| <b>Effect</b>   | <b>Mode 1</b> | <b>Mode 2</b> |
|-----------------|---------------|---------------|
| Pan             | channel 33    | channel 27    |
| Tilt            | channel 34    | channel 28    |
| Colour wheel    | channel 35    | channel 29    |
| Cyan            | channel 36    | channel 30    |
| Magenta         | channel 37    | channel 31    |
| Yellow          | channel 38    | channel 32    |
| Static Gobo     | channel 39    | channel 33    |
| Rot. Gobo Wheel | channel 40    | channel 34    |
| R. Gobo Index 1 | channel 41    | channel 35    |
| R. Gobo Index 2 | channel 42    | channel 36    |
| R. Gobo Index 3 | channel 43    | channel 37    |
| R. Gobo Index 4 | channel 44    | channel 38    |
| R. Gobo Index 5 | channel 45    | channel 39    |
| R. Gobo Index 6 | channel 46    | channel 40    |
| R. Gobo Index 7 | channel 47    | channel 41    |
| Prism           | channel 48    | channel 42    |
| Prism rot.      | channel 49    | channel 43    |
| Zoom            | channel 50    | channel 44    |
| Frost 1/1       | channel 51    | channel 45    |
| Frost 1/2       | channel 52    | channel 46    |
| Focus           | channel 53    | channel 47    |
| Iris            | channel 54    | channel 48    |

After having calibrated all effects, touch the [confirm] to save adjusted values and reset the fixture.

**Calibrate Pan/Tilt EMS** - This menu item allows calibration of the pan/tilt electronic motion stabilizer.

Important: during this calibration any external force must not influence the fixture and the surface at which the fixture stands (or truss if the fixture hangs) has to be without movement, shake, strokes etc.

**Load Default Calibrations** - The item loads default (factory) calibration values.

**Updating software** - The menu item allows you to update software in the fixture via either serial or USB port of PC.

The following are required in order to update software:

- PC running Windows 95/98/2000/XP/7/8 or Linux
- DMX Software Uploader
- Flash cable RS232/DMX P/N 13050624 (if you want to use a serial port of PC)
- Robe Universal Interface (if you want to use an USB port of PC)

Note: Software update should execute a qualified person. If you lack qualification, do not attempt the update yourself and ask for help your ROBE distributor.

DMX address, IP address, programs 1-3 and all items in the menu "Personality" will be set to their default (factory) values.

**To update software in the fixture:**

I. Installation of the DMX Software Uploader.

1. DMX Software Uploader program is available from the ROBE web site at WWW.robe.cz.
2. Make a new directory ( e.g. Robe\_Uploader) on your hard disk and download the software to it.
3. Unpack the software.

II. Fixture software updating.

1. Determine which of your ports is available on your PC and connect it:
  - with the DMX input of the fixture if you using the flash cable RS232/DMX
  - with the DMX output of the Robe Universal Interface if you using the USB cable.

Disconnect the fixture from the other fixtures in a DMX chain. Turn both the computer and the fixture on. Make sure the lamp is switched off (only if the fixture involves a lamp).

2. Switch the fixture to the updating mode by touching the "Updating Software " item

Note: If you do not want to continue in software update, you have to switch off and on the fixture to escape from this menu.

We recommend to cancel all running programs before starting the Software Uploader.

3. Run the Software Uploader program. Select desired COM and then click on the Connect button. (Select COM if the serial port is used or Robe Universal Interface if the USB port is used).

If the connection is OK, click on the "Start Uploading button" to start uploading. It will take several minutes to perform software update.

If the option "Incremental Update" is not checked, all processors will be updated (including processors with the same software version).

If you wish to update only later versions of processors, check the "Incremental Update box".

Avoid interrupting the process. Update status is being displayed in the Info Box window.

When the update is finished, the line with the text "The fixture is successfully updated" will appear in this window and the fixture will reset with the new software.

Note: In the case of an interruption of the upload process (e.g. power cut), the fixture keeps the updating mode and you have to repeat the software update again.

## 8. RDM

This fixture supports RDM operation. RDM (Remote Device Management) is a bi-directional communications protocol for use in DMX512 control systems, it is the new open standard for DMX512 device configuration and status monitoring.

The RDM protocol allows data packets to be inserted into a DMX512 data stream without adversely affecting existing non-RDM equipment. By using a special „Start Code,“ and by complying with the timing specifications for DMX512, the RDM protocol allows a console or dedicated RDM controller to send commands to and receive messages from specific moving lights.

RDM allows explicit commands to be sent to a device and responses to be received from it.

The list of commands for Robin Viva CMY is the following.

| Parameter ID             | Discovery command | SET command | GET command |
|--------------------------|-------------------|-------------|-------------|
| DISC_UNIQUE_BRANCH       | *                 |             |             |
| DISC_MUTE                | *                 |             |             |
| DISC_UN_MUTE             | *                 |             |             |
| DEVICE_INFO              |                   |             | *           |
| SUPPORTED_PARAMETERS     |                   |             | *           |
| SOFTWARE_VERSION_LABEL   |                   |             | *           |
| DMX_START_ADDRESS        |                   | *           | *           |
| IDENTIFY_DEVICE          |                   | *           | *           |
| DEVICE_MODEL_DESCRIPTION |                   |             | *           |
| MANUFACTURER_LABEL       |                   |             | *           |

|                             |  |   |   |
|-----------------------------|--|---|---|
| DEVICE_LABEL                |  | * | * |
| SENSOR_DEFINITION           |  |   | * |
| SENSOR_VALUE                |  |   | * |
| DISPLAY_INVERT              |  | * | * |
| DISPLAY_LEVEL               |  | * | * |
| PAN_INVERT                  |  | * | * |
| TILT_INVERT                 |  | * | * |
| DEVICE_RESET                |  | * |   |
| DMX_PERSONALITY             |  | * | * |
| DMX_PERSONALITY_DESCRIPTION |  |   | * |
| STATUS_MESSAGES             |  |   | * |
| STATUS_ID_DESCRIPTION       |  |   | * |
| DEVICE_HOURS <sup>1</sup>   |  |   | * |

<sup>1</sup>...Commands relative resetable values

## 9. Wireless DMX operation

The wireless DMX version of the Robin Viva CMY is equipped with the Lumen Radio CRMX module and antenna for receiving DMX signal. CRMX module operates on the 2.4 GHz band.

The item "Wireless" from the menu "DMX Input" allows you to activate receiving of wireless DMX (Personality--> DMX Input -->Wireless.).

To link the fixture with DMX transmitter.

The fixture can be only linked with the transmitter by running the link procedure at DMX transmitter . After linking , the level of DMX signal ( 0-100 %) is displayed in the menu item "Wireless State" (Information -->Wireless State).

To unlink the fixture from DMX transmitter.

The fixture can be unlinked from receiver via the menu item " Unlink Wireless Adapter" (Information--> Wireless State --> Unlink Wireless Adapter.).

## 10. Error and information messages

### Information icon



**- Air Filters Cleaning**

This icon signalizes that cleaning period of the air filters has elapsed and you have to clear air filters and reset the menu item "Elapsed Time".



### Errors

Error in the fixture is signalled by the yellow warning icon at the bottom line of the screen:



Touch the warning icon or press the [ESCAPE] button to display error messages.  
List of error and information messages:

**Tilt Error 1 (Tilt Error 2)**

This message will appear after the reset of the fixture if the head's magnetic-indexing circuit malfunctions (sensor failed or magnet is missing) or the stepping motor is defective or its driving IC on the PCB. The head is not located in the default position after the reset.

**Pan Error 1 (Pan Error 2)**

This message will appear after the reset of the fixture if the yoke's magnetic-indexing circuit malfunctions (sensor failed or magnet is missing) or the stepping motor is defective or its driving IC on the PCB. The yoke is not located in the default position after the reset of the fixture.

**Colour Wheel Error 1 (Colour Wheel Error 2)**

The messages will appear after the reset of the colour wheel if this wheel is not located in the default position.

**Cyan Error 1 (Cyan Error 2)**

The messages will appear after the reset of the cyan colour wheel if this wheel is not located in the default position.

**Magenta Error 1 (Magenta Error 2)**

The messages will appear after the reset of the magenta colour wheel if this wheel is not located in the default position.

**Yellow Error 1 (Yellow Error 2)**

The messages will appear after the reset of the yellow colour wheel if this wheel is not located in the default position.

**Prism Error 1 (Prism Error 2)**

The messages will appear after the reset of the prism wheel if this wheel is not located in the default position.

**Zoom Error 1 (Zoom Error 2)**

The messages will appear after the reset of the zoom module if the zoom lens is not located in the default position.

**Focus Error 1 (Focus Error 2)**

The messages will appear after the reset of the focus module if the focus lens is not located in the default.

**Gobo Carousel Error 1 (Gobo Carousel Error 2)**

The messages will appear after the reset of the rotating gobo wheel if this wheel is not located in the default position.

**Gobo rotation Error 1 (Gobo Rotation Error 2)**

The messages will appear after the reset of the rotating gobo wheel if the rotating gobos are not located in the default positions.

**Static Gobo Error 1 (Static Gobo Wheel Error 2)**

The messages will appear after the reset of the static gobo wheel if this wheel is not located in the default position.

**Clean Air Filters**

The message informs that the item "Elapsed Time" in the "Fixture Information" menu is at 0 value. Clean air filters and reset this counter.

**White 1 Short Error (White 2 Short Error/ White 3 Short Error/ White 4 Short Error)**

Some white LEDs in the light source have short circuit or are disconnected.

**White 5 Short Error (White 6 Short Error/ White 7 Short Error/ White 8 Short Error)**

Some white LEDs in the light source have short circuit or are disconnected.

# 11. Technical Specifications

## Electrical

Power supply:.....electronic auto-ranging  
Input voltage range:..... 100-240V, 50/60Hz  
Max. power consumption:.....500 W@230V (power factor=0.98)  
Fuse:.....T 5 A

## Light source

350W white engine  
Colour temperature: 6500K  
CRI=75

## Colour wheel

6 dichroic filters + open

## CMY colour mixing

Smooth CMY colour mixing system  
68 preset colours on Virtual colour wheel

## Static gobo wheel

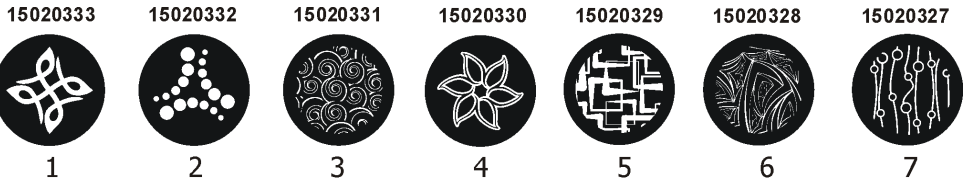
9 metal gobos, image diameter=22.5mm, aluminium, thickness=0.5 mm  
Gobo wheel continuous rotation



## Rotating gobo wheel

7 glass gobos can be indexed and rotated in both directions at different speeds  
Gobo wheel continuous rotation  
Glass gobos: outside diameter=26.8 mm, max. thickness=4 mm, high temperature borofloat or better glass

"Slot&lock" system for easy replacement of gobos



## Prism

Rotating 3-facet 11° prism with continuous rotation in both directions

## Iris

Motorized iris for different beam diameters

## Frost filter

replaceable, variable frost filter 20°  
1°, 10° and 30° filters as optional (not included)

**Zoom**

Linear motorized zoom (9° - 40°)

**Strobe**

Strobe effect with variable speed (max. 15 flashes/sec.)

**Dimmer**

Smooth dimmer from 0 - 100 %

**Control**

Graphic touch screen for fixture setting and addressing  
Gravitation sensor for auto screen positioning  
Battery backup of the touch screen  
Readout fixture and light source usage, receiving DMX values, temperatures, etc  
Built-in analyzer for easy fault finding, error messages  
Built-in demo sequences  
Black-out while head moving, colour changing  
Silent fans cooling,  
Stand-alone operation  
3 user editable programs, each up to 100 steps  
Supported protocols: USITT DMX 512, RDM, ArtNet, MANet, MANet2, sACN  
Support of RDM (Remote Device Management)  
2 DMX modes (32, 26, control channels)

**Optional Wireless DMX/RDM module**

Compliance with USITT DMX-512 (1986 & 1990) and 512-A  
Full DMX fidelity and frame integrity  
Auto sensing of DMX frame rate and frame size  
<5ms DMX latency  
Operational frequency range of 2402-2480 MHz  
Producer: LumenRadio

**Pan/Tilt**

Pan movement range 540°  
Tilt movement range 270°  
16 bit movement resolution  
Pan/Tilt electronic motion stabilizer  
Automatic Pan/Tilt position correction  
Remotely controllable speed of pan/tilt movement for easy programming  
Pan/tilt-lock mechanism

**Rigging**

Mounting points: 2 pairs of 1/4-turn locks  
Mounting horizontally or vertically via 2 Omega brackets

**Temperatures**

Maximum ambient temperature : 45° C  
Maximum housing temperature : 80° C

**Minimum distances**

Min. distance from flammable surfaces: 0.5 m  
Min. distance to lighted object: 2 m

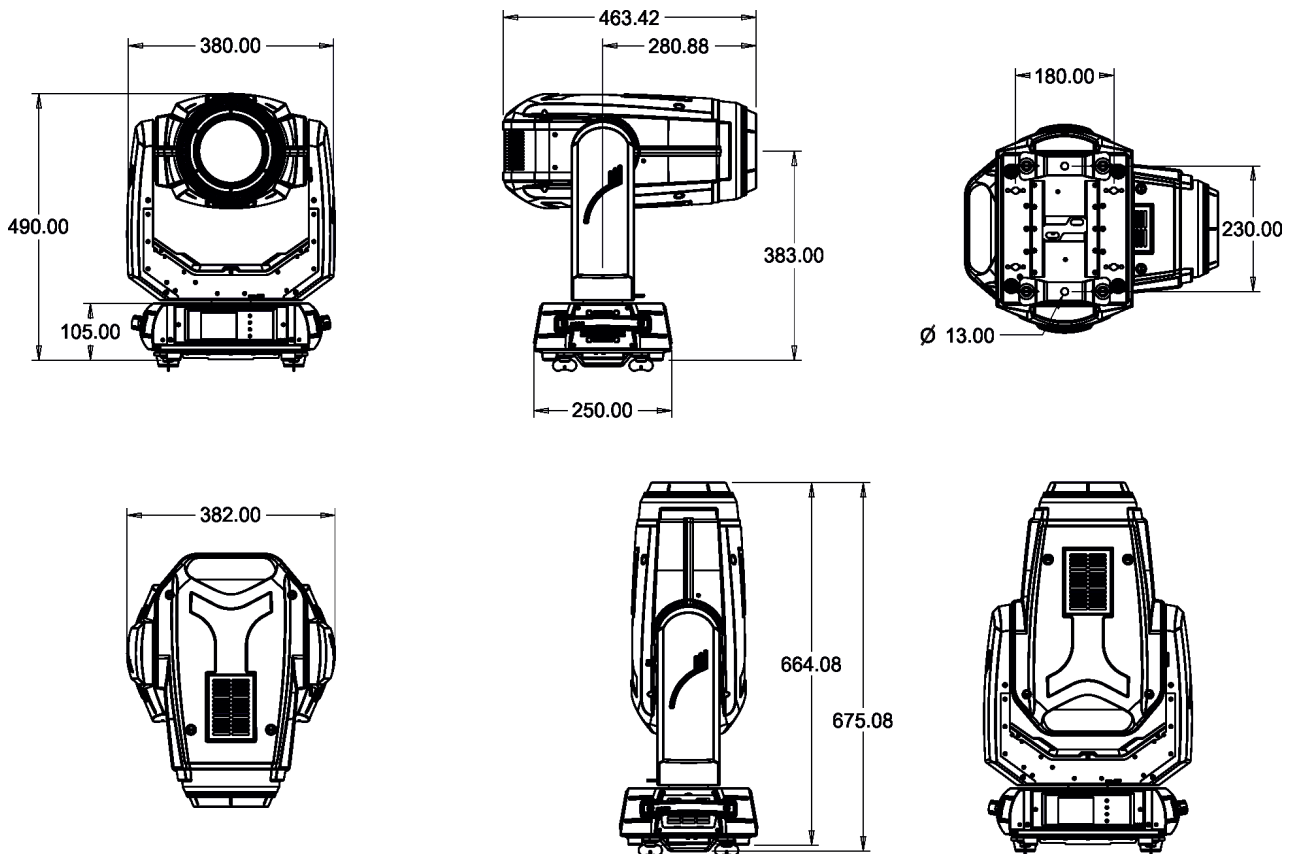
**Total heat dissipation**

1700 BTU/h (calculated)

## Weight

19 kg

## Dimensions (mm)



## Connection

DMX data in/out: Locking 3-pin and 5-pin XLR

ArtNet: RJ 45 (Neutrik Ethercon)

AC power IN: Chassis connector Neutrik PowerCon, NAC3MPX

## Accessories

1 x Omega adapter CL-regular 2 pcs in box (P/N 10980033)

1 x power cable

## Optional Accessories

Frost 1° (exchange) - assembled (P/N 10980308)

Frost 10° (exchange) - assembled (P/N 10980309)

Frost 30° (exchange) - assembled (P/N 10980310)

Upgrade kit CRMX Univerzal 260 (P/N 99030100)

Doughty Trigger Clamp (P/N 17030386)

Safety wire 35 kg (P/N 99011963)

## 12. Maintenance and cleaning

It is absolutely essential that the fixture is kept clean and that dust, dirt and smoke-fluid residues must not build up on or within the fixture. Otherwise, the fixture's light-output will be significantly reduced. Regular cleaning will not only ensure the maximum light-output, but will also allow the fixture to function reliably throughout its life. A soft lint-free cloth moistened with any good glass cleaning fluid is recommended, under no circumstances should alcohol or solvents be used!

**DANGER !**  
**Disconnect from the mains before starting any  
maintenance work**

The front objective lens will require weekly cleaning as smoke-fluid tends to building up residues, reducing the light-output very quickly. The cooling-fans should be cleaned monthly.

The interior of the fixture should be cleaned at least annually using a vacuum-cleaner or an air-jet.

Dichroic colour filters, gobo wheels and the internal lenses should be cleaned monthly.

Remove dust and dirt from the fans and cooling vents using a soft brush and vacuum-cleaner.

**Important! Check the air filters periodically and clean before they become  
clogged!**

Clean the air filters placed in the fixture bases. Use a vacuum cleaner, compressed air or you can wash them and put back dry.

After replacing the air filters, reset the elapsed time counter in the menu "Information" (Information--->Air Filters---> Elapsed Time).

### Replacing the fuse.

Before replacing the fuse, unplug mains lead.

- 1) Remove the fuse holder on the rear panel of the base with a fitting screwdriver from the housing (anti-clockwise).
- 2) Remove the old fuse from the fuse holder.
- 3) Install the new fuse in the fuse holder (only the same type and rating).
- 4) Replace the fuseholder in the housing and fix it.

## 12.1 Disposing of the product

To preserve the environment please dispose or recycle this product at the end of its life according to the local regulations and codes.

## 13. ChangeLog

This section summarizes changes in the user manual.

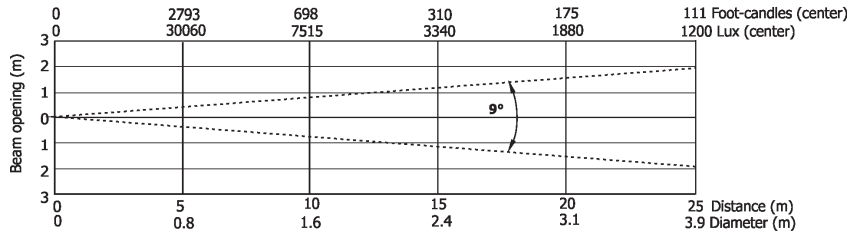
| Version of the manual | Date of issue | Description of changes  |
|-----------------------|---------------|---|
| 1.3                   | 13/02/2016    | DMX protocol ver. 1.4 (Quiet mode of fans added at channel 6)   |
| 1.4                   | 04/04/2017    | DMX protocol ver. 1.5 (Colours renamed on Virtual colour wheel) |
| 1.5                   | 17/01/2018    | Optional accessories changed                                    |
| 1.6                   | 30/01/2018    | New photometric diagram   |
| 1.7                   | 14/03/2018    | Change in photometric diagram                                   |



# 14. Photometric diagram

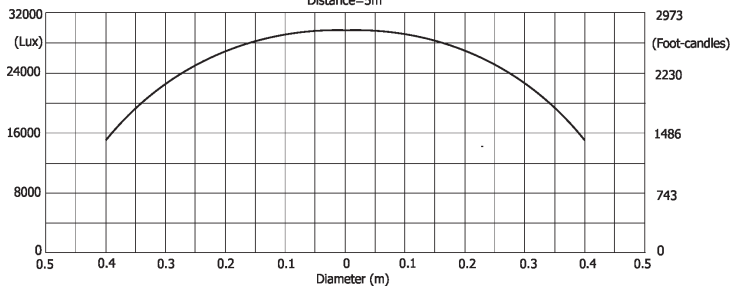
## Beam angle 9° - Min. zoom

Total Output: 9628 lumens



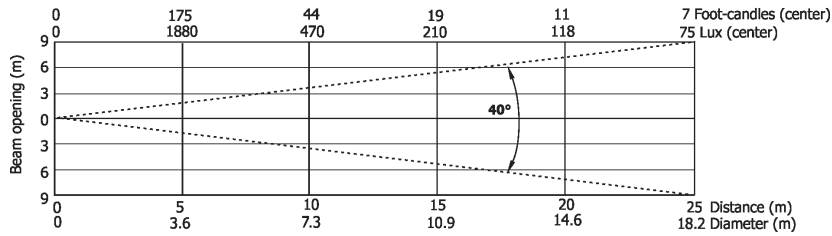
### Illuminance distribution

Distance=5m



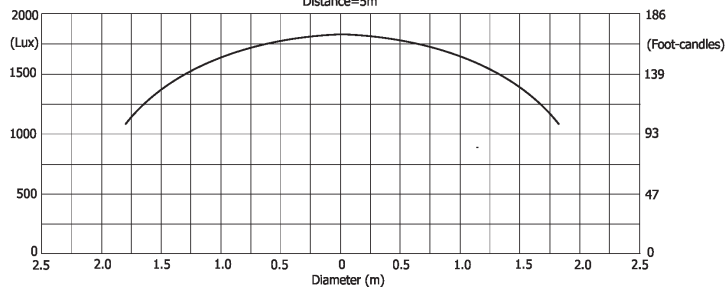
## Beam angle 40° - Max. zoom

Total Output: 12040 lumens



### Illuminance distribution

Distance=5m



April 30, 2018

Copyright © 2016-2018 Robe Lighting - All rights reserved

All Specifications subject to change without notice

Made in CZECH REPUBLIC by ROBE LIGHTING s.r.o. Palackeho 416/20 CZ 75701 Valasske Mezirici

DMX protocol

| Robin Viva CMY - DMX protocol |   |  |  |                 |
|-------------------------------|---|--|--|-----------------|
| Version 1.5                   |   | Mode 1 - Standard 16 bit, Mode 2 - Reduced 8 bit |  |                 |
| Mode/channel                  |   | DMX Value  | Function   | Type of control |
| 1                             | 2 |  |  |                 |
| 1                             | 1 |  | <b>Pan</b>   |                 |
|                               |   | 0 - 255  | Pan movement by 540° (128=default)   | proportional    |
| 2                             | 2 |  | <b>Pan Fine</b>  |                 |
|                               |   | 0 - 255  | Fine control of pan movement (0=default)   | proportional    |
| 3                             | 3 |  | <b>Tilt</b>  |                 |
|                               |   | 0 - 255  | Tilt movement by 270° (128=default)  | proportional    |
| 4                             | 4 |  | <b>Tilt fine</b>   |                 |
|                               |   | 0 - 255  | Fine control of tilt movement (0=default)  | proportional    |
| 5                             | 5 |  | <b>Pan/Tilt speed , Pan/Tilt time</b>  |                 |
|                               |   | 0  | Standard mode (0=default)  | step            |
|                               |   | 1  | Max. Speed Mode  | step            |
|                               |   |  | <b>Pan/Tilt speed mode</b>   |                 |
|                               |   | 2 - 255  | Speed from max. to min.  | proportional    |
|                               |   |  | <b>Pan/Tilt time mode</b>  |                 |
|                               |   | 2 - 255  | Time from 0.2 s to 25.5 sec.   | proportional    |
| 6                             | 6 |  | <b>Power/Special functions</b>   |                 |
|                               |   | 0 - 9  | Reserved (0=default)   |                 |
|                               |   |  | <i>To activate following functions, stop in DMX value for at least 3 s and shutter must be closed at least 3 sec. („Shutter,Strobe“ channel 30/25 must be at range: 0-31 DMX). Corresponding menu items are temporarily overridden except DMX Input.</i> |                 |
|                               |   | 10-14  | DMX input: Wired DMX *   | step            |
|                               |   | 15-19  | DMX input: Wireless DMX *  | step            |
|                               |   |  | * function is active only 10 seconds after switching the fixture on  |                 |
|                               |   | 20-24  | Graphic display On   | step            |
|                               |   | 25-29  | Graphic display Off  | step            |
|                               |   | 30-49  | Reserved   |                 |
|                               |   | 50-54  | Dimmer curve: Square law   | step            |
|                               |   | 55-59  | Dimmer curve: Linear   | step            |
|                               |   | 60-64  | Fans mode: Auto  | step            |
|                               |   | 65-69  | Fans mode: High  | step            |
|                               |   | 70-89  | Reserved   |                 |
|                               |   | 90 - 94  | Pan/Tilt speed mode  | step            |
|                               |   | 95-99  | Pan/Tilt time mode   | step            |
|                               |   | 100 - 104  | Blackout while pan/tilt moving   | step            |
|                               |   | 105 -109   | Disabled blackout while pan/tilt moving  | step            |
|                               |   | 110-114  | Blackout while colour wheels moving  | step            |
|                               |   | 115 -119   | Disabled blackout while colour wheels moving   | step            |
|                               |   | 120-139  | Reserved   | step            |
|                               |   |  | <i>To activate following functions, stop in DMX value for at least 3 seconds.</i>  |                 |
|                               |   | 140 - 149  | Pan/Tilt reset   | step            |
|                               |   | 150 - 159  | Colour system reset  | step            |
|                               |   | 160 - 169  | Gobo wheels + iris reset   | step            |
|                               |   | 170 - 179  | Reserved   |                 |
|                               |   | 180 - 189  | Zoom/focus/frost/prism reset   | step            |
|                               |   | 190 - 199  | Reserved   |                 |

DMX protocol

| Mode/channel |           | DMX Value | Function   | Type of control |
|--------------|-----------|-----------|--|-----------------|
| 1            | 2         |           |  |                 |
|              |           | 200 - 209 | Total reset  | step            |
|              |           | 210-239   | Reserved   |                 |
|              |           | 240       | Disable "Quiet mode"   | step            |
|              |           | 241 - 255 | "Quiet mode" - fan noise control from min. to max.   | proportional    |
| <b>7</b>     | <b>7</b>  |           | <b>Colour wheel</b>  |                 |
|              |           |           | <b>Continual positioning</b>   |                 |
|              |           | 0         | Open/white (0=default)   | proportional    |
|              |           | 18        | Deep red   | proportional    |
|              |           | 37        | Green  | proportional    |
|              |           | 55        | CTO  | proportional    |
|              |           | 73        | Orange   | proportional    |
|              |           | 91        | Lavender   | proportional    |
|              |           | 109       | Congo blue   | proportional    |
|              |           | 128-129   | Open/white   | proportional    |
|              |           |           | <b>Positioning</b>   |                 |
|              |           | 130-139   | Deep red   | step            |
|              |           | 140-149   | Green  | step            |
|              |           | 150-159   | CTO  | step            |
|              |           | 160-169   | Orange   | step            |
|              |           | 170-179   | Lavender   | step            |
|              |           | 180-189   | Congo blue   | step            |
|              |           | 190 - 215 | Forwards rainbow effect from fast to slow  | proportional    |
|              |           | 216 - 217 | No rotation  | step            |
|              |           | 218 - 243 | Backwards rainbow effect from slow to fast   | proportional    |
|              |           | 244 - 249 | Random colour selection by audio control<br>(Set microphone sensitivity in menu „Personality“) | step            |
|              |           | 250 - 255 | Auto random colour selection from fast to slow   | proportional    |
| <b>8</b>     | <b>*</b>  |           | <b>Colour wheel - fine positioning</b>   |                 |
|              |           | 0 - 255   | Fine positioning (0=default)   | proportional    |
| <b>9</b>     | <b>8</b>  |           | <b>Cyan</b>  |                 |
|              |           | 0 - 255   | Cyan from min. saturation --> full cyan (0=default)  | proportional    |
| <b>10</b>    | <b>9</b>  |           | <b>Magenta</b>   |                 |
|              |           | 0 - 255   | Magenta from min. saturation --> full magenta (0=default)                                      | proportional    |
| <b>11</b>    | <b>10</b> |           | <b>Yellow</b>  |                 |
|              |           | 0 - 255   | Yellow from min. saturation --> full yellow (0=default)  | proportional    |
| <b>12</b>    | <b>11</b> |           | <b>Virtual colour wheel</b>  |                 |
|              |           | 0         | No function (0=default)  | step            |
|              |           | 1-2       | Filter 4 (Medium Bastard Amber)  | step            |
|              |           | 3-4       | Filter 10 (Medium Yellow)  | step            |
|              |           | 5-6       | Filter 19 (Fire)   | step            |
|              |           | 7-8       | Filter 24 (Scarlet)  | step            |
|              |           | 9-10      | Filter 58 (Lavender)   | step            |
|              |           | 11-12     | Filter 68 (Sky Blue)   | step            |
|              |           | 13-14     | Filter 71 (Tokyo Blue)   | step            |
|              |           | 15-16     | Filter 79 (Just Blue)  | step            |
|              |           | 17-18     | Filter 88 (Lime Green)   | step            |
|              |           | 19-20     | Filter 90 (Dark Yellow Green)  | step            |
|              |           | 21-22     | Filter 100 (Spring Yellow)   | step            |

## DMX protocol

| Mode/channel |   | DMX Value | Function                         | Type of control |
|--------------|---|-----------|----------------------------------|-----------------|
| 1            | 2 |           |                                  |                 |
|              |   | 23-24     | Filter 101 (Yellow)              | step            |
|              |   | 25-26     | Filter 102 (Light Amber)         | step            |
|              |   | 27-28     | Filter 103 (Straw)               | step            |
|              |   | 29-30     | Filter 104 (Deep Amber)          | step            |
|              |   | 31-32     | Filter 105 (Orange)              | step            |
|              |   | 33-34     | Filter 781 (Terry Red)           | step            |
|              |   | 35-36     | Filter 111 (Dark Pink)           | step            |
|              |   | 37-38     | Filter 115 (Peacock Blue)        | step            |
|              |   | 39-40     | Filter 505 (Sally Green)         | step            |
|              |   | 41-42     | Filter 117 (Steel Blue)          | step            |
|              |   | 43-44     | Filter 118 (Light Blue)          | step            |
|              |   | 45-46     | Filter 724 (Ocean Blue)          | step            |
|              |   | 47-48     | Filter 725 (Old Steel Blue)      | step            |
|              |   | 49-50     | Filter 121 (Filter Green)        | step            |
|              |   | 51-52     | Filter 128 (Bright Pink)         | step            |
|              |   | 53-54     | Filter 131 (Marine Blue)         | step            |
|              |   | 55-56     | Filter 132 (Medium Blue)         | step            |
|              |   | 57-58     | Filter 134 (Golden Amber)        | step            |
|              |   | 59-60     | Filter 135 (Deep Golden Amber)   | step            |
|              |   | 61-62     | Filter 136 (Pale Lavender)       | step            |
|              |   | 63-64     | Filter 137 (Special Lavender)    | step            |
|              |   | 65-66     | Filter 138 (Pale Green)          | step            |
|              |   | 67-68     | Filter 139 (Primary Green)       | step            |
|              |   | 69-70     | Filter 141 (Bright Blue)         | step            |
|              |   | 71-72     | Filter 147 (Apricot)             | step            |
|              |   | 73-74     | Filter 148 (Bright Rose)         | step            |
|              |   | 75-76     | Filter 152 (Pale Gold)           | step            |
|              |   | 77-78     | Filter 154 (Pale Rose)           | step            |
|              |   | 79-80     | Filter 157 (Pink)                | step            |
|              |   | 81-82     | Filter 158 (Deep Orange)         | step            |
|              |   | 83-84     | Filter 162 (Bastard Amber)       | step            |
|              |   | 85-86     | Filter 164 (Flame Red)           | step            |
|              |   | 87-88     | Filter 165 (Daylight Blue)       | step            |
|              |   | 89-90     | Filter 169 (Lilac Tint)          | step            |
|              |   | 91-92     | Filter 170 (Deep Lavender)       | step            |
|              |   | 93-94     | Filter 172 (Lagoon Blue)         | step            |
|              |   | 95-96     | Filter 179 (Chrome Orange)       | step            |
|              |   | 97-98     | Filter 180 (Dark Lavender)       | step            |
|              |   | 99-100    | Filter 181 (Congo Blue)          | step            |
|              |   | 101-102   | Filter 197 (Alice Blue)          | step            |
|              |   | 103-104   | Filter 201 (Full C.T. Blue)      | step            |
|              |   | 105-106   | Filter 202 (Half C.T. Blue)      | step            |
|              |   | 107-108   | Filter 203 (Quarter C.T. Blue)   | step            |
|              |   | 109-110   | Filter 204 (Full C.T. Orange)    | step            |
|              |   | 111-112   | Filter 205 (Half C.T. Orange)    | step            |
|              |   | 113-114   | Filter 206 (Quarter C.T. Orange) | step            |
|              |   | 115-116   | Filter 247 (Filter Minus Green)  | step            |
|              |   | 117-118   | Filter 248 (Half Minus Green)    | step            |

DMX protocol

| Mode/channel |           | DMX Value | Function  | Type of control              |
|--------------|-----------|-----------|---|------------------------------|
| 1            | 2         |           |   |                              |
|              |           | 119-120   | Filter 281 (Three Quarter C.T. Blue)  | step                         |
|              |           | 121-122   | Filter 285 (Three Quarter C.T. Orange)  | step                         |
|              |           | 123-124   | Filter 352 (Glacier Blue)   | step                         |
|              |           | 125-126   | Filter 353 (Lighter Blue)   | step                         |
|              |           | 127-128   | Filter 715 (Cabana Blue)  | step                         |
|              |           | 129-130   | Filter 778 (Millennium Gold)  | step                         |
|              |           | 131-132   | Filter 328 (Follies Pink)   | step                         |
|              |           | 133-255   | Reserved  |                              |
| <b>13</b>    | <b>12</b> |           | <b>Effect Speed</b>   |                              |
|              |           |           | <i>Speed of CMY &amp; rot. gobo &amp; static gobo selection</i>                                     |                              |
|              |           | 0-255     | Speed of CMY and rot.gobo/static gobo selection from max. to min.<br>(0=default)                    | proportional<br>proportional |
| <b>14</b>    | <b>13</b> |           | <b>Colour wheel + CMY time</b>  |                              |
|              |           | 0         | Function is off (0=default)   | step                         |
|              |           | 1 - 255   | Time of Colour wheel +CMY movement (0.1sec-->25.5sec.)  | proportional                 |
| <b>15</b>    | <b>14</b> |           | <b>Stat. Gobo+Zoom+Focus+Frost+Iris+Prism time</b>  |                              |
|              |           | 0         | Function is off (0=default)   | step                         |
|              |           | 1 - 255   | Time of stat. Gobo, zoom, focus,iris and frost movement (0.1 sec-->25.5 sec.)                       | proportional                 |
|              |           | 1-50      | Time of prism movement (0.1 sec-->5 sec.)   | proportional                 |
| <b>16</b>    | <b>15</b> |           | <b>Static gobo wheel</b>  |                              |
|              |           | 0-7       | Open/hole (0=default)   | step                         |
|              |           | 9-17      | Gobo 1  | step                         |
|              |           | 18-26     | Gobo 2  | step                         |
|              |           | 27-35     | Gobo 3  | step                         |
|              |           | 36-44     | Gobo 4  | step                         |
|              |           | 45-53     | Gobo 5  | step                         |
|              |           | 54-62     | Gobo 6  | step                         |
|              |           | 63-71     | Gobo 7  | step                         |
|              |           | 72-80     | Gobo 8  | step                         |
|              |           | 81-91     | Gobo 9  | step                         |
|              |           |           | <b><u>Shaking gobos from slow to fast</u></b>   |                              |
|              |           | 92-103    | Gobo 1  | proportional                 |
|              |           | 104-115   | Gobo 2  | proportional                 |
|              |           | 116-127   | Gobo 3  | proportional                 |
|              |           | 128-139   | Gobo 4  | proportional                 |
|              |           | 140-151   | Gobo 5  | proportional                 |
|              |           | 152-163   | Gobo 6  | proportional                 |
|              |           | 164-175   | Gobo 7  | proportional                 |
|              |           | 176-187   | Gobo 8  | proportional                 |
|              |           | 188-199   | Gobo 9  | proportional                 |
|              |           | 200 - 201 | Open/hole   | step                         |
|              |           | 202 - 222 | Forwards gobo wheel rotation from fast to slow  | proportional                 |
|              |           | 223 - 243 | Backwards gobo wheel rotation from slow to fast   | proportional                 |
|              |           | 244 - 249 | Random gobo selection by audio control<br><i>(Set microphone sensitivity in menu „Personality“)</i> | step                         |
|              |           | 250 - 255 | Auto random gobo selection from fast to slow  | proportional                 |
| <b>17</b>    | <b>16</b> |           | <b>Rotating gobo wheel</b>  |                              |

DMX protocol

| Mode/channel |           | DMX Value | Function  | Type of control |
|--------------|-----------|-----------|---|-----------------|
| 1            | 2         |           |   |                 |
|              |           |           | <i>In the range of 0-59 DMX the gobo selection speed can be controlled by the Effect Speed channel.</i> |                 |
|              |           |           | <b><i>Index - set indexing on channel 18/17</i></b>   |                 |
|              |           | 0-3       | Open/hole (0=default)   | step            |
|              |           | 4-7       | Gobo 1  | step            |
|              |           | 8-11      | Gobo 2  | step            |
|              |           | 12-15     | Gobo 3  | step            |
|              |           | 16-19     | Gobo 4  | step            |
|              |           | 20-23     | Gobo 5  | step            |
|              |           | 24-27     | Gobo 6  | step            |
|              |           | 28-31     | Gobo 7  | step            |
|              |           |           | <b><i>Rotation - set rotation on channel 18/17</i></b>  |                 |
|              |           | 32-35     | Gobo 1  | step            |
|              |           | 36-39     | Gobo 2  | step            |
|              |           | 40-43     | Gobo 3  | step            |
|              |           | 44-47     | Gobo 4  | step            |
|              |           | 48-51     | Gobo 5  | step            |
|              |           | 52-55     | Gobo 6  | step            |
|              |           | 56-59     | Gobo 7  | step            |
|              |           |           | <b><i>Shaking gobos from slow to fast</i></b>   |                 |
|              |           |           | <b><i>Index - set indexing on channel 18/17</i></b>   |                 |
|              |           | 60 - 69   | Gobo 1  | proportional    |
|              |           | 70 - 79   | Gobo 2  | proportional    |
|              |           | 80 - 89   | Gobo 3  | proportional    |
|              |           | 90 - 99   | Gobo 4  | proportional    |
|              |           | 100 - 109 | Gobo 5  | proportional    |
|              |           | 110 - 119 | Gobo 6  | proportional    |
|              |           | 120 - 129 | Gobo 7  | proportional    |
|              |           |           | <b><i>Shaking gobos from slow to fast</i></b>   |                 |
|              |           |           | <b><i>Rotation - set rotation on channel 18/17</i></b>  |                 |
|              |           | 130 - 139 | Gobo 1  | proportional    |
|              |           | 140 - 149 | Gobo 2  | proportional    |
|              |           | 150 - 159 | Gobo 3  | proportional    |
|              |           | 160 - 169 | Gobo 4  | proportional    |
|              |           | 170 - 179 | Gobo 5  | proportional    |
|              |           | 180 - 189 | Gobo 6  | proportional    |
|              |           | 190 - 199 | Gobo 7  | proportional    |
|              |           | 200 - 201 | Open/hole   | step            |
|              |           | 202 - 222 | Forwards gobo wheel rotation from fast to slow  | proportional    |
|              |           | 223 - 243 | Backwards gobo wheel rotation from slow to fast   | proportional    |
|              |           | 244 - 249 | Random gobo selection by audio control<br>(Set microphone sensitivity in menu „Personality”)            | step            |
|              |           | 250 - 255 | Auto random gobo selection from fast to slow  | proportional    |
| <b>18</b>    | <b>17</b> |           | <b>Rot. Gobo indexing/rotation</b>  |                 |
|              |           |           | <b><i>Gobo indexing - set position on channel 17/16</i></b>   |                 |
|              |           | 0 - 255   | Gobo indexing   | proportional    |
|              |           |           | <b><i>Gobo rotation - set position on channel 17/16</i></b>   |                 |
|              |           | 0         | No rotation   | step            |

DMX protocol

| Mode/channel |           | DMX Value | Function                                  | Type of control |
|--------------|-----------|-----------|---|-----------------|
| 1            | 2         |           |   |                 |
|              |           | 1 - 127   | Forwards gobo rotation from fast to slow  | proportional    |
|              |           | 128       | No rotation (128=default)                 | step            |
|              |           | 129 - 255 | Backwards gobo rotation from slow to fast | proportional    |
| <b>19</b>    | <b>*</b>  |           | <b>Rot. Gobo indexing/rotation - fine</b> |                 |
|              |           | 0-255     | Fine indexing/rotation (0=default)        | proportional    |
| <b>20</b>    | <b>18</b> |           | <b>Prism</b>                              |                 |
|              |           | 0 - 19    | Open position/hole (0=default)            | step            |
|              |           | 20 - 127  | 3-facet rotating prism                    | step            |
|              |           |           | Prism/gobo macros                         |                 |
|              |           | 128 - 135 | Macro 1                                   | step            |
|              |           | 136 - 143 | Macro 2                                   | step            |
|              |           | 144 - 151 | Macro 3                                   | step            |
|              |           | 152 - 159 | Macro 4                                   | step            |
|              |           | 160 - 167 | Macro 5                                   | step            |
|              |           | 168 - 175 | Macro 6                                   | step            |
|              |           | 176 - 183 | Macro 7                                   | step            |
|              |           | 184 - 191 | Macro 8                                   | step            |
|              |           | 192 - 199 | Macro 9                                   | step            |
|              |           | 200 - 207 | Macro 10                                  | step            |
|              |           | 208 - 215 | Macro 11                                  | step            |
|              |           | 216 - 223 | Macro 12                                  | step            |
|              |           | 224 - 231 | Macro 13                                  | step            |
|              |           | 232 - 239 | Macro 14                                  | step            |
|              |           | 240 - 247 | Macro 15                                  | step            |
|              |           | 248 - 255 | Macro 16                                  | step            |
| <b>21</b>    | <b>19</b> |           | <b>Prism rotation</b>                     |                 |
|              |           | 0         | No rotation                               | step            |
|              |           | 1 - 127   | Forwards rotation from fast to slow       | proportional    |
|              |           | 128       | No rotation (128= default)                | step            |
|              |           | 129-255   | Backwards rotation from slow to fast      | proportional    |
| <b>22</b>    | <b>20</b> |           | <b>Frost</b>                              |                 |
|              |           | 0         | Open (0=default)                          | step            |
|              |           | 1 - 179   | Frost from 0% to 100%                     | proportional    |
|              |           | 180 - 189 | 100% frost                                | step            |
|              |           | 190 - 211 | Pulse closing from slow to fast           | proportional    |
|              |           | 212 - 233 | Pulse opening from fast to slow           | proportional    |
|              |           | 234 - 255 | Ramping from fast to slow                 | proportional    |
| <b>23</b>    | <b>21</b> |           | <b>Iris</b>                               |                 |
|              |           | 0         | Open (0=default)                          | step            |
|              |           | 1 - 179   | From max.diameter to min.diameter         | proportional    |
|              |           | 180 - 191 | Closed                                    | step            |
|              |           |           | <b>Pulse effects with Iris blackout:</b>  |                 |
|              |           | 192 -219  | Pulse opening from slow to fast           | proportional    |
|              |           | 220 - 247 | Pulse closing from fast to slow           | proportional    |
|              |           | 248 - 249 | Random pulse opening (fast)               | step            |
|              |           | 250 - 251 | Random pulse opening (slow)               | step            |
|              |           | 252 - 253 | Random pulse closing (fast)               | step            |
|              |           | 254 - 255 | Random pulse closing (slow)               | step            |

DMX protocol

| Mode/channel   |    | DMX Value | Function   | Type of control |
|--|----|-----------|--|-----------------|
| 1  | 2  |           |  |                 |
| 24   | *  |           | <b>Iris - fine</b>                                   |                 |
|  |    | 0 - 255   | Fine iris movement (0=default)                       | proportional    |
| 25   | 22 |           | <b>Zoom</b>  |                 |
|  |    | 0 - 255   | Zoom from max. to min.beam angle (128=default)       | proportional    |
| 26   | *  |           | <b>Zoom - fine</b>                                   |                 |
|  |    | 0-255     | Fine zooming (0=default)                             | proportional    |
| 27   | 23 |           | <b>Focus</b>   |                 |
|  |    | 0 - 255   | Continuous adjustment from far to near (128=default) | proportional    |
| 28   | *  |           | <b>Focus - fine</b>                                  |                 |
|  |    | 0- 255    | Fine focusing (0=default)                            | proportional    |
| 29   | 24 |           | <b>Reserved</b>                                      |                 |
|  |    |           | Reserved for future functions                        |                 |
| 30   | 25 |           | <b>Shutter/ strobe</b>                               |                 |
|  |    | 0 - 31    | Shutter closed                                       | step            |
|  |    | 32 - 63   | Shutter open (32=default)                            | step            |
|  |    | 64 - 95   | Strobe-effect from slow to fast                      | proportional    |
|  |    | 96 - 127  | Shutter open   | step            |
|  |    | 128 - 143 | Opening pulse in sequences from slow to fast         | proportional    |
|  |    | 144 - 159 | Closing pulse in sequences from fast to slow         | proportional    |
|  |    | 160 - 191 | Shutter open   | proportional    |
|  |    | 192 - 223 | Random strobe-effect from slow to fast               | proportional    |
|  |    | 224 - 255 | Shutter open   | step            |
| 31   | 26 |           | <b>Dimmer intensity</b>                              |                 |
|  |    | 0 - 255   | Dimmer intensity from 0% to 100% (0=default)         | proportional    |
| 32   | *  |           | <b>Dimmer intensity - fine</b>                       |                 |
|  |    | 0 - 255   | Fine dimming (0=default)                             | proportional    |
| Copyright © 2016-2017 Robe Lighting s.r.o. - All rights reserved |    |           |  |                 |
| All Specifications subject to change without notice              |    |           |  |                 |



| <b>Robin Viva CMY - colours on Virtual Colour Wheel</b> |                   |                      |                     |                           |
|---|-------------------|----------------------|---------------------|---------------------------|
| <b>Colour name</b>                                      | <b>Cyan (DMX)</b> | <b>Magenta (DMX)</b> | <b>Yellow (DMX)</b> | <b>Colour Wheel (DMX)</b> |
| Filter 4 (Medium Bastard Amber)                         | 0                 | 105                  | 103                 | 152                       |
| Filter 10 (Medium Yellow)                               | 0                 | 0                    | 198                 | 152                       |
| Filter 19 (Fire)  | 0                 | 255                  | 0                   | 164                       |
| Filter 24 (Scarlet)                                     | 0                 | 255                  | 224                 | 0                         |
| Filter 58 (Lavender)                                    | 19                | 171                  | 105                 | 172                       |
| Filter 68 (Sky Blue)                                    | 255               | 79                   | 0                   | 152                       |
| Filter 71 (Tokyo Blue)                                  | 255               | 0                    | 0                   | 181                       |
| Filter 79 (Just Blue)                                   | 255               | 61                   | 130                 | 172                       |
| Filter 88 (Lime Green)                                  | 48                | 0                    | 192                 | 0                         |
| Filter 90 (Dark Yellow Green)                           | 255               | 38                   | 224                 | 0                         |
| Filter 100 (Spring Yellow)                              | 32                | 117                  | 204                 | 0                         |
| Filter 101 (Yellow)                                     | 0                 | 139                  | 227                 | 0                         |
| Filter 102 (Light Amber)                                | 0                 | 57                   | 183                 | 159                       |
| Filter 103 (Straw)                                      | 0                 | 131                  | 166                 | 0                         |
| Filter 104 (Deep Amber)                                 | 0                 | 162                  | 229                 | 0                         |
| Filter 105 (Orange)                                     | 0                 | 191                  | 255                 | 0                         |
| Filter 781 (Terry Red)                                  | 0                 | 255                  | 235                 | 0                         |
| Filter 111 (Dark Pink)                                  | 0                 | 198                  | 178                 | 0                         |
| Filter 115 (Peacock Blue)                               | 247               | 0                    | 183                 | 152                       |
| Filter 505 (Sally Green)                                | 45                | 23                   | 198                 | 0                         |
| Filter 117 (Steel Blue)                                 | 105               | 6                    | 132                 | 0                         |
| Filter 118 (Light Blue)                                 | 230               | 63                   | 152                 | 0                         |
| Filter 724 (Ocean Blue)                                 | 212               | 0                    | 153                 | 156                       |
| Filter 725 (Old Steel Blue)                             | 134               | 73                   | 140                 | 0                         |
| Filter 121 (Filter Green)                               | 133               | 0                    | 193                 | 0                         |
| Filter 128 (Bright Pink)                                | 0                 | 255                  | 118                 | 153                       |
| Filter 131 (Marine Blue)                                | 193               | 76                   | 173                 | 0                         |
| Filter 132 (Medium Blue)                                | 255               | 32                   | 62                  | 150                       |
| Filter 134 (Golden Amber)                               | 0                 | 170                  | 210                 | 150                       |
| Filter 135 (Deep Golden Amber)                          | 0                 | 251                  | 255                 | 150                       |
| Filter 136 (Pale Lavender)                              | 83                | 98                   | 0                   | 158                       |
| Filter 137 (Special Lavender)                           | 145               | 117                  | 0                   | 158                       |
| Filter 138 (Pale Green)                                 | 54                | 72                   | 173                 | 0                         |
| Filter 139 (Primary Green)                              | 255               | 180                  | 255                 | 0                         |
| Filter 141 (Bright Blue)                                | 255               | 87                   | 146                 | 0                         |
| Filter 147 (Apricot)                                    | 0                 | 178                  | 205                 | 0                         |
| Filter 148 (Bright Rose)                                | 0                 | 255                  | 190                 | 255                       |
| Filter 152 (Pale Gold)                                  | 0                 | 92                   | 101                 | 157                       |
| Filter 154 (Pale Rose)                                  | 33                | 96                   | 84                  | 157                       |
| Filter 157 (Pink)                                       | 0                 | 189                  | 178                 | 157                       |
| Filter 158 (Deep Orange)                                | 0                 | 198                  | 255                 | 157                       |
| Filter 162 (Bastard Amber)                              | 0                 | 86                   | 98                  | 157                       |
| Filter 164 (Flame Red)                                  | 0                 | 255                  | 243                 | 157                       |
| Filter 165 (Daylight Blue)                              | 219               | 0                    | 111                 | 156                       |
| Filter 169 (Lilac Tint)                                 | 81                | 63                   | 0                   | 156                       |
| Filter 170 (Deep Lavender)                              | 120               | 142                  | 19                  | 150                       |

| <b>Colour name</b>                     | <b>Cyan<br/>(DMX)</b> | <b>Magenta<br/>(DMX)</b> | <b>Yellow<br/>(DMX)</b> | <b>Colour<br/>Wheel<br/>(DMX)</b> |
|--|-----------------------|--------------------------|-------------------------|-----------------------------------|
| Filter 172 (Lagoon Blue)               | 255                   | 0                        | 187                     | 173                               |
| Filter 179 (Chrome Orange)             | 0                     | 176                      | 255                     | 0                                 |
| Filter 180 (Dark Lavender)             | 194                   | 203                      | 0                       | 151                               |
| Filter 181 (Congo Blue)                | 0                     | 0                        | 155                     | 182                               |
| Filter 197 (Alice Blue)                | 201                   | 110                      | 42                      | 157                               |
| Filter 201 (Full C.T. Blue)            | 167                   | 7                        | 103                     | 157                               |
| Filter 202 (Half C.T. Blue)            | 131                   | 124                      | 158                     | 0                                 |
| Filter 203 (Quarter C.T. Blue)         | 137                   | 136                      | 164                     | 0                                 |
| Filter 204 (Full C.T. Orange)          | 0                     | 167                      | 204                     | 0                                 |
| Filter 205 (Half C.T. Orange)          | 0                     | 144                      | 182                     | 0                                 |
| Filter 206 (Quarter C.T. Orange)       | 0                     | 139                      | 164                     | 0                                 |
| Filter 247 (Filter Minus Green)        | 33                    | 167                      | 165                     | 0                                 |
| Filter 248 (Half Minus Green)          | 26                    | 144                      | 153                     | 0                                 |
| Filter 281 (Three Quarter C.T. Blue)   | 106                   | 95                       | 127                     | 0                                 |
| Filter 285 (Three Quarter C.T. Orange) | 0                     | 94                       | 150                     | 152                               |
| Filter 352 (Glacier Blue)              | 223                   | 0                        | 130                     | 152                               |
| Filter 353 (Lighter Blue)              | 186                   | 0                        | 155                     | 0                                 |
| Filter 715 (Cabana Blue)               | 254                   | 195                      | 0                       | 155                               |
| Filter 778 (Millennium Gold)           | 0                     | 216                      | 255                     | 0                                 |
| Filter 328 (Follies Pink)              | 36                    | 221                      | 73                      | 156                               |
|  |                       |                          |                         |                                   |